
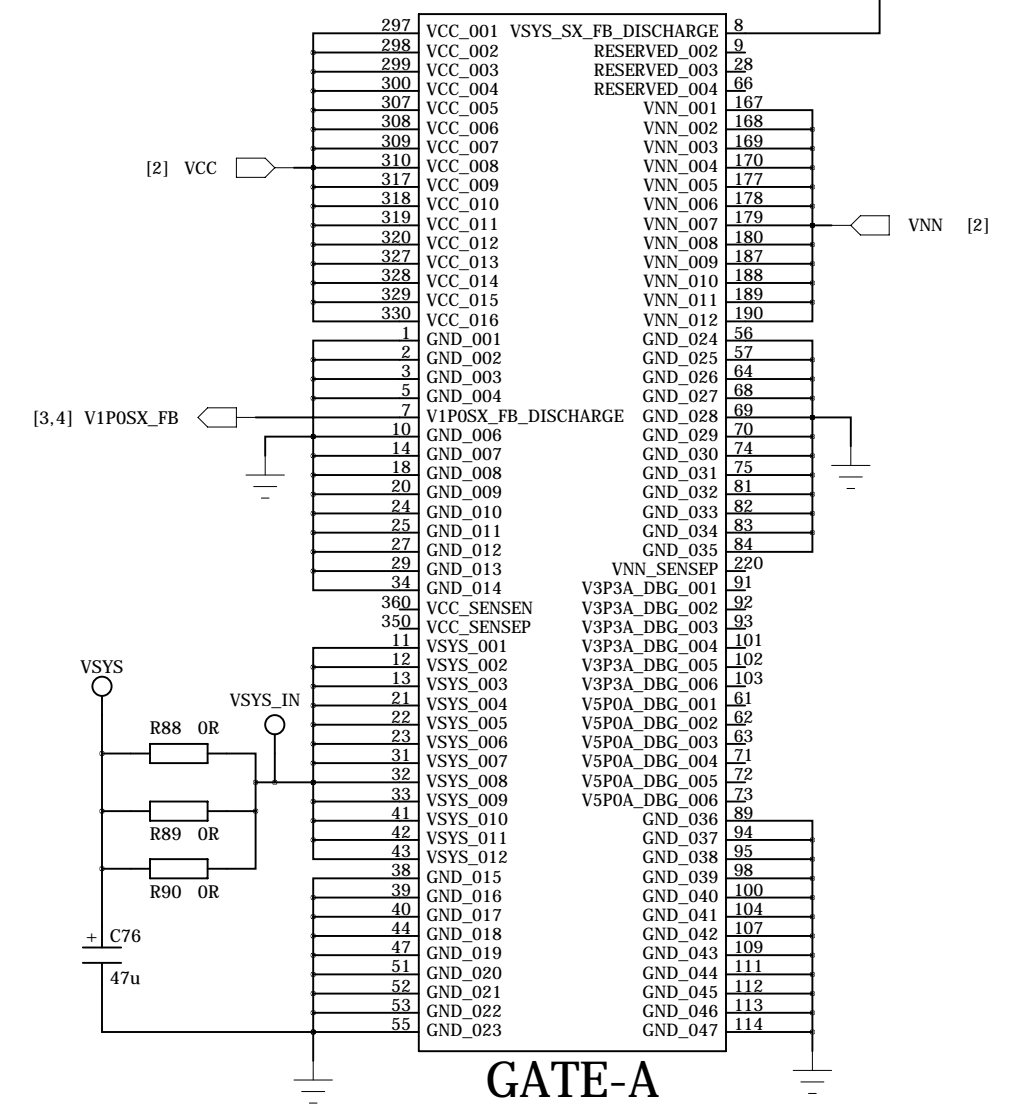
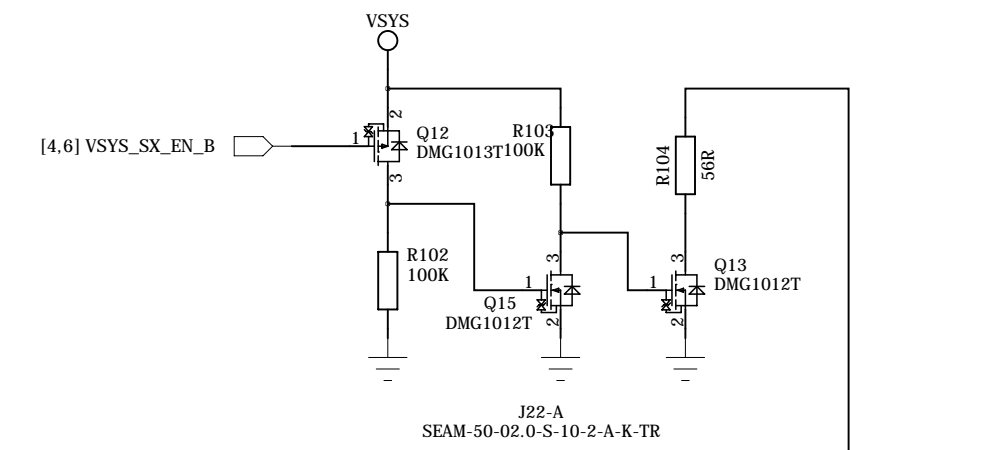
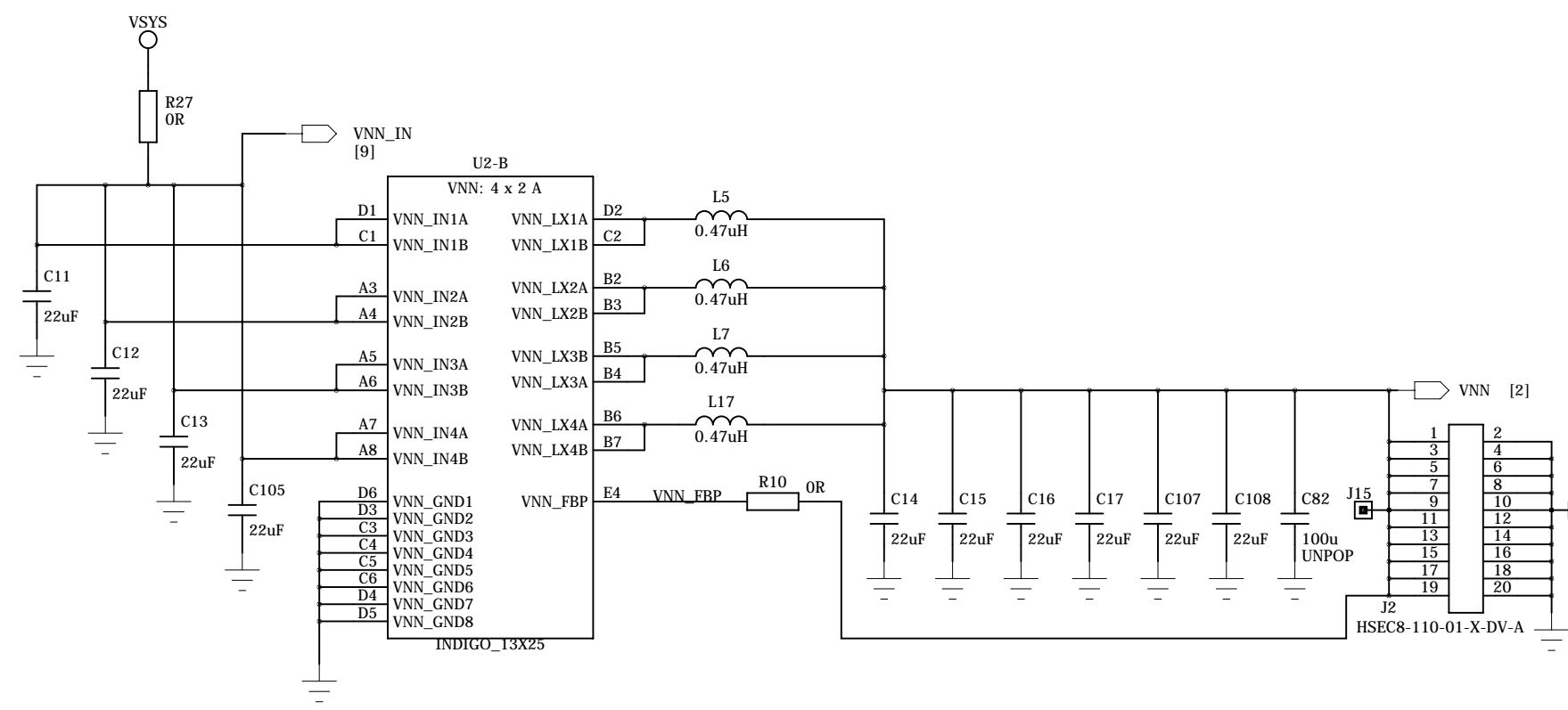
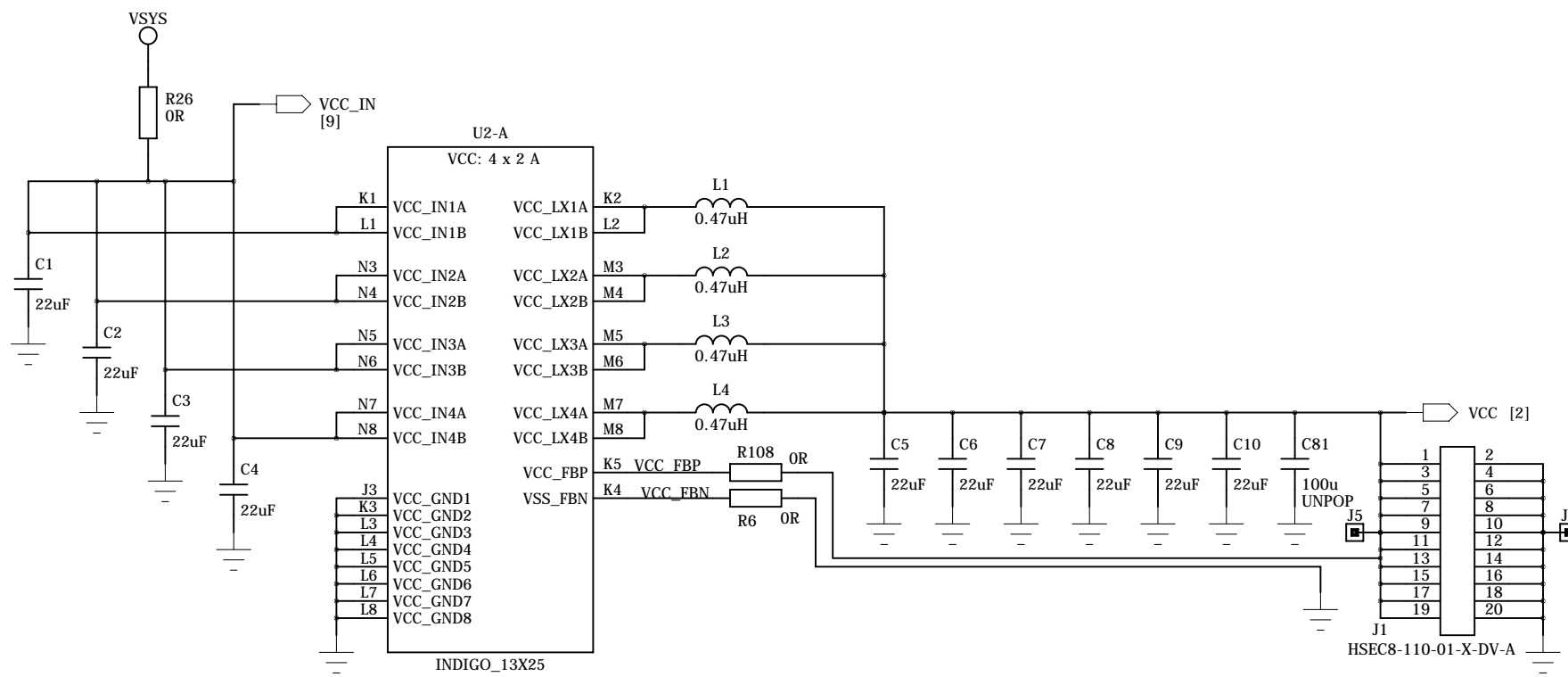


REV	DATE	ENGINEER	NOTES
A	11/06/2012	DM	Initial version
B	24/10/2012	DM	Socket version with corrected routing and grounding
C	15/01/2013	DM	Transient Load Test Bard without IsoChiller

SCHEMATIC TEMPLATE REV PA2 (November 30, 2011) DIALOG DOCUMENT NUMBER 31-902-03

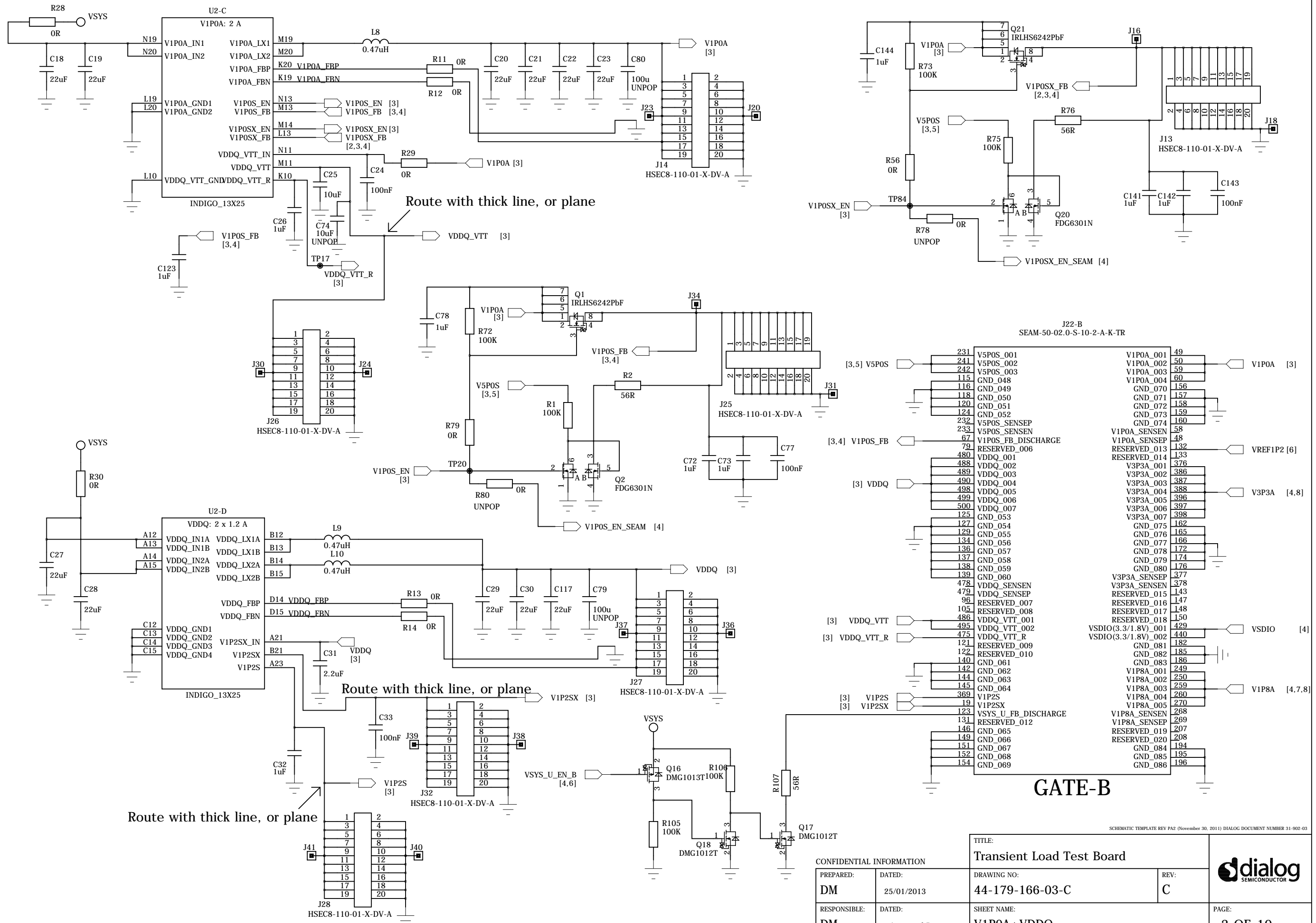
CONFIDENTIAL INFORMATION		TITLE: Transient Load Test Board		
PREPARED: DM	DATED: 25/01/2013	DRAWING NO: 44-179-166-03-C	REV: C	
RESPONSIBLE: DM	DATED: <Approved Date>	SHEET NAME: REVISION_HISTORY		PAGE: 1 OF 10



SCHEMATIC TEMPLATE REV PA2 (November 30, 2011) DIALOG DOCUMENT NUMBER 31-902-03

CONFIDENTIAL INFORMATION		TITLE: Transient Load Test Board	
PREPARED: DM	DATED: 25/01/2013	DRAWING NO: 44-179-166-03-C	REV: C
RESPONSIBLE: DM	DATED: <Approved Date>	SHEET NAME: VCC+VNN	PAGE: 2 OF 10



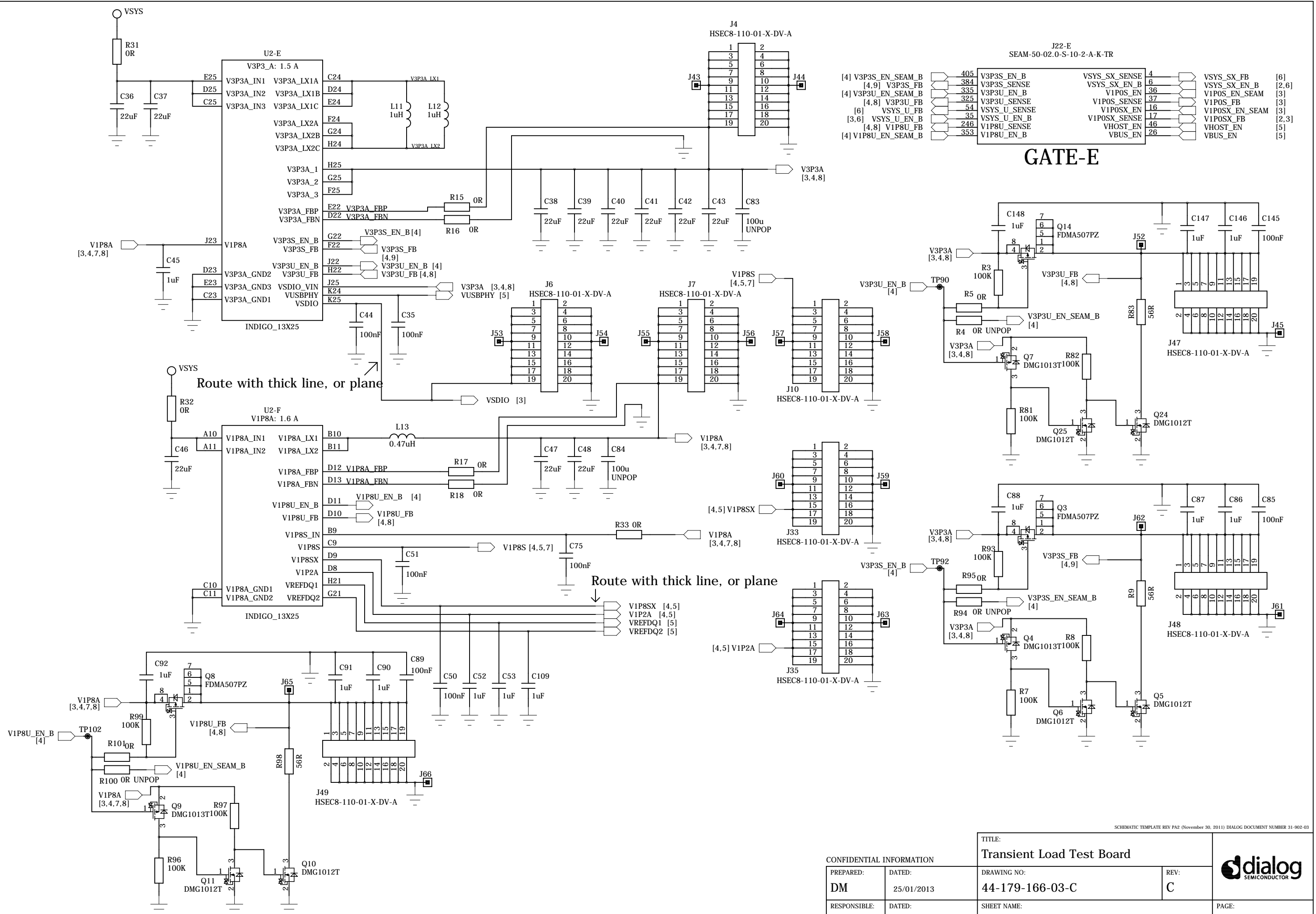


SCHEMATIC TEMPLATE REV PA2 (November 30, 2011) DIALOG DOCUMENT NUMBER 31-902-03

TITLE: Transient Load Test Board		DRAWING NO: 44-179-166-03-C		REV: C
PREPARED: DM	DATED: 25/01/2013	SHEET NAME: V1POA+VDDQ		PAGE: 3 OF 10
RESPONSIBLE: DM	DATED: <Approved Date>			

CONFIDENTIAL INFORMATION	
PREPARED: DM	DATED: 25/01/2013
RESPONSIBLE: DM	DATED: <Approved Date>





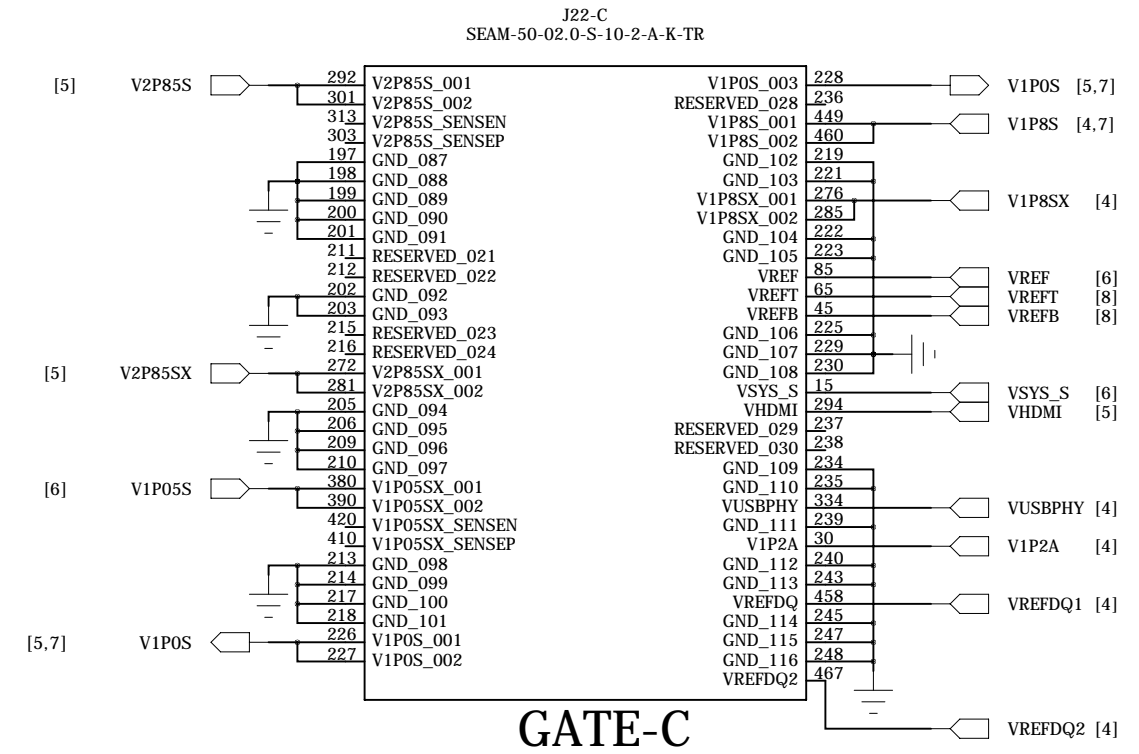
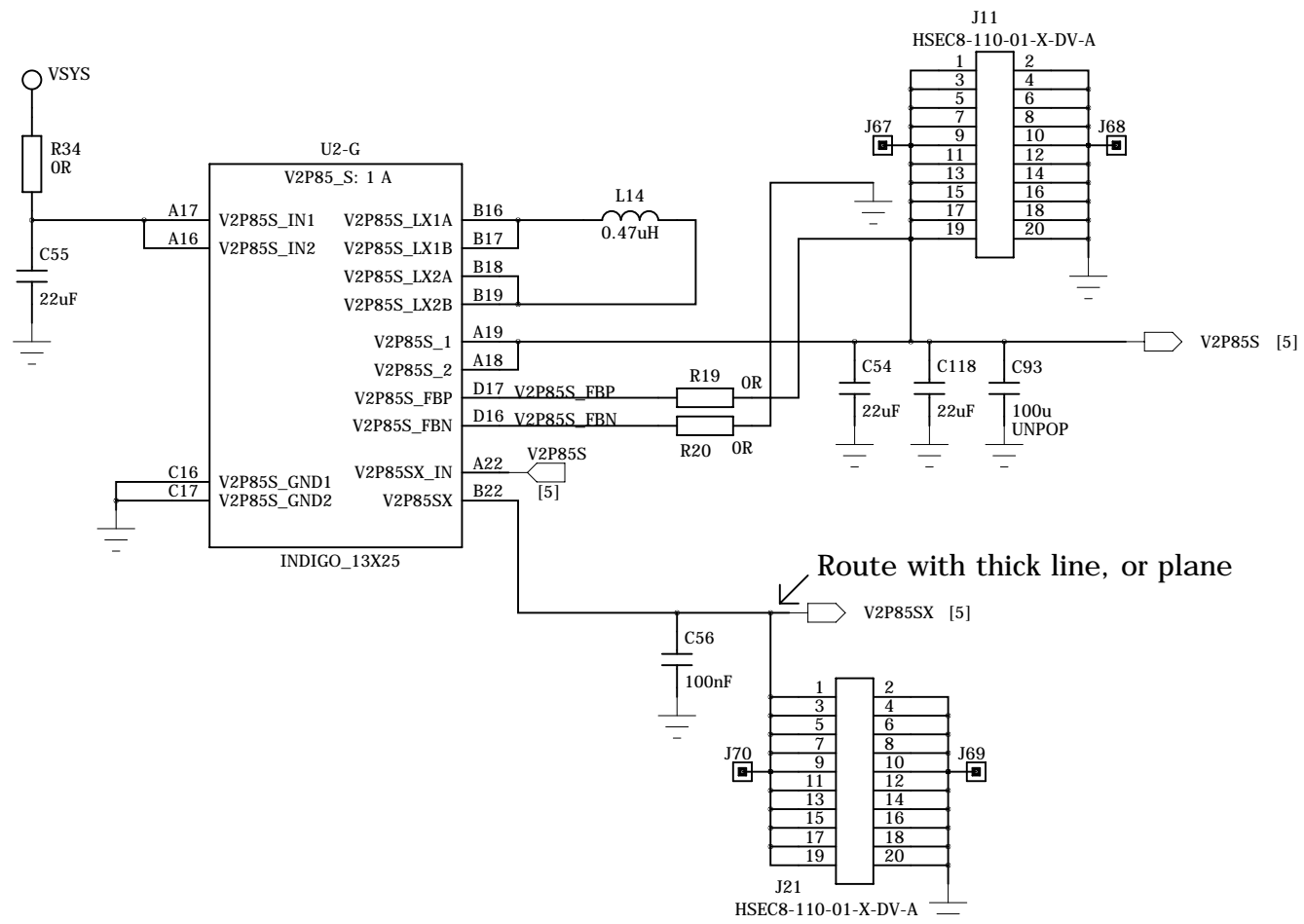
[4] V3P3S_EN_SEAM_B	405	V3P3S_EN_B	4	VSYS_SX_SENSE	4	VSYS_SX_FB	[6]
[4,9] V3P3S_FB	384	V3P3S_SENSE	6	VSYS_SX_EN_B	6	VSYS_SX_EN_B	[2,6]
[4] V3P3U_EN_SEAM_B	335	V3P3U_EN_B	36	V1POS_EN	36	V1POS_EN_SEAM	[3]
[4,8] V3P3U_FB	325	V3P3U_SENSE	37	V1POS_SENSE	16	V1POS_FB	[3]
[6] VSYS_U_FB	54	VSYS_U_SENSE	16	V1POSX_EN_SEAM	17	V1POSX_FB	[2,3]
[3,6] VSYS_U_EN_B	35	VSYS_U_EN_B	17	V1POSX_SENSE	46	VHOST_FB	[5]
[4,8] V1P8U_FB	246	V1P8U_SENSE	46	VHOST_EN	26	VBUS_EN	[5]
[4] V1P8U_EN_SEAM_B	353	V1P8U_EN_B	26				

GATE-E

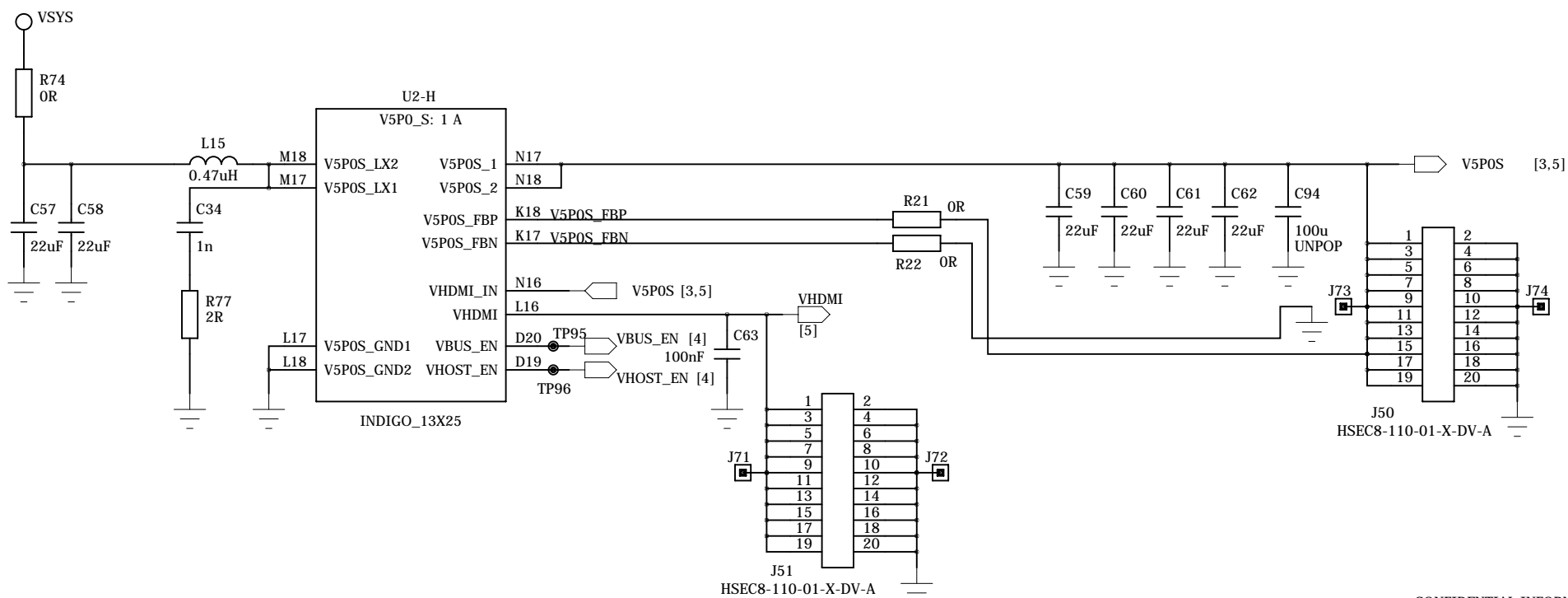
Route with thick line, or plane

Route with thick line, or plane

CONFIDENTIAL INFORMATION		TITLE: Transient Load Test Board		
PREPARED: DM	DATED: 25/01/2013	DRAWING NO: 44-179-166-03-C	REV: C	
RESPONSIBLE: DM	DATED: <Approved Date>	SHEET NAME: V3P3A+V1P8A	PAGE: 4 OF 10	

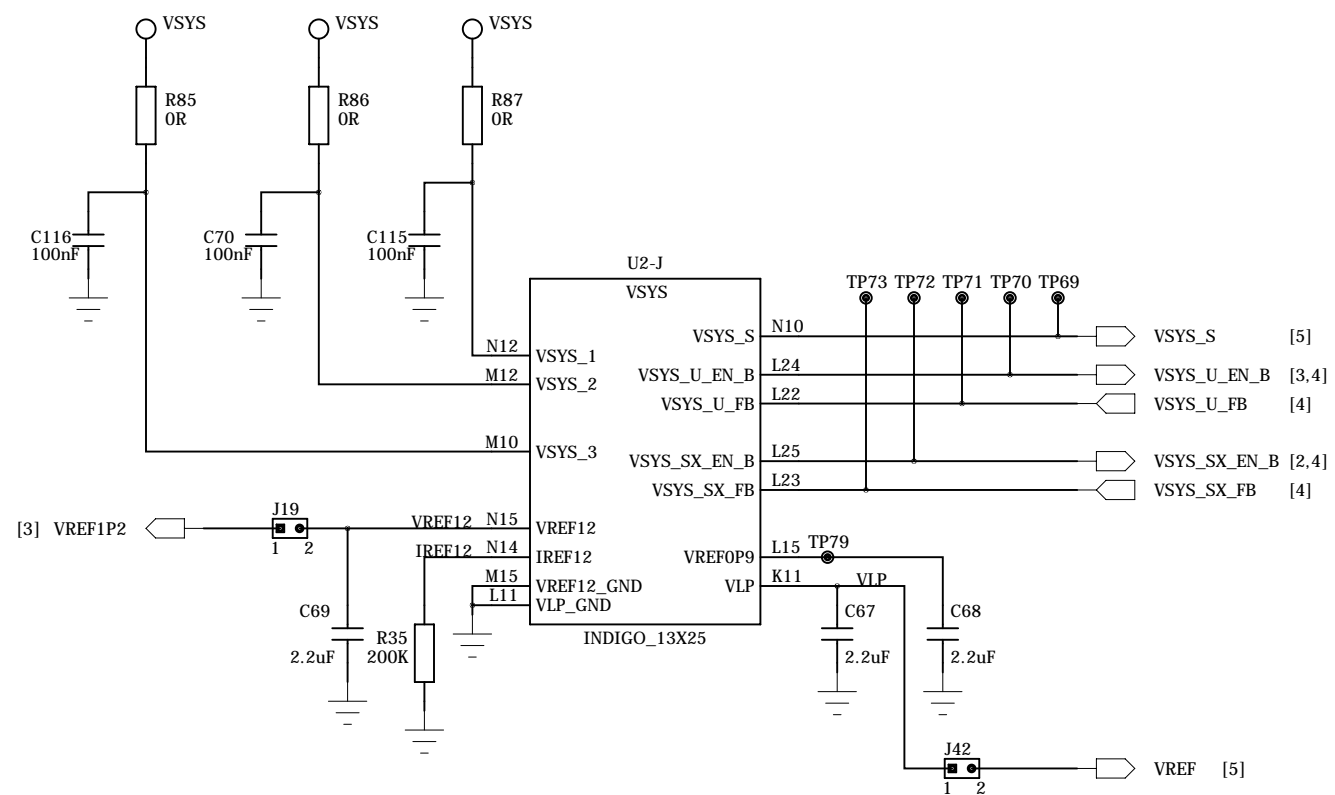
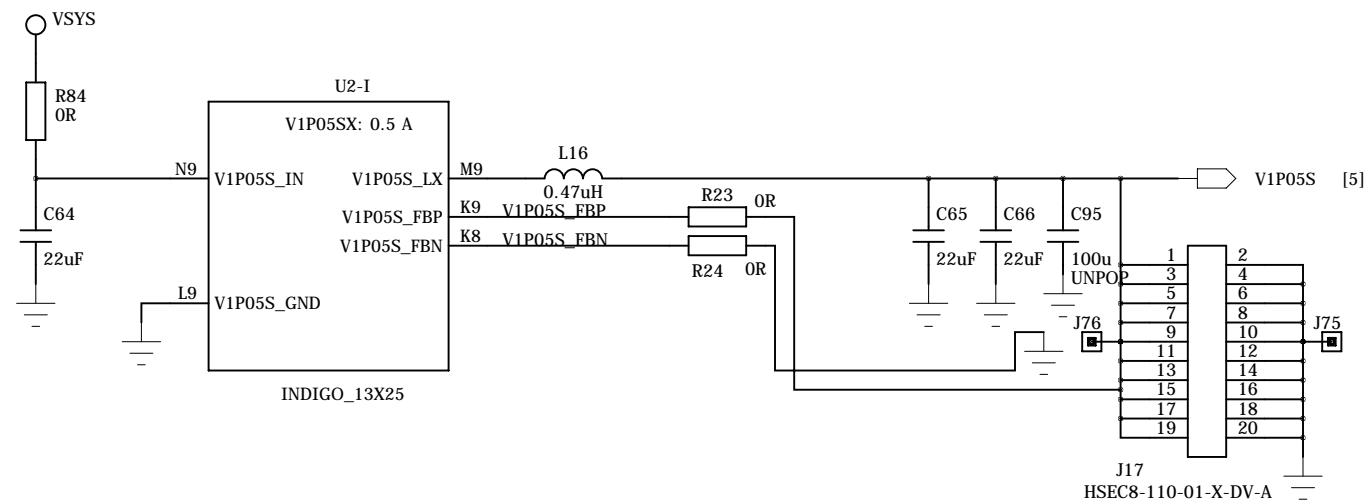


GATE-C



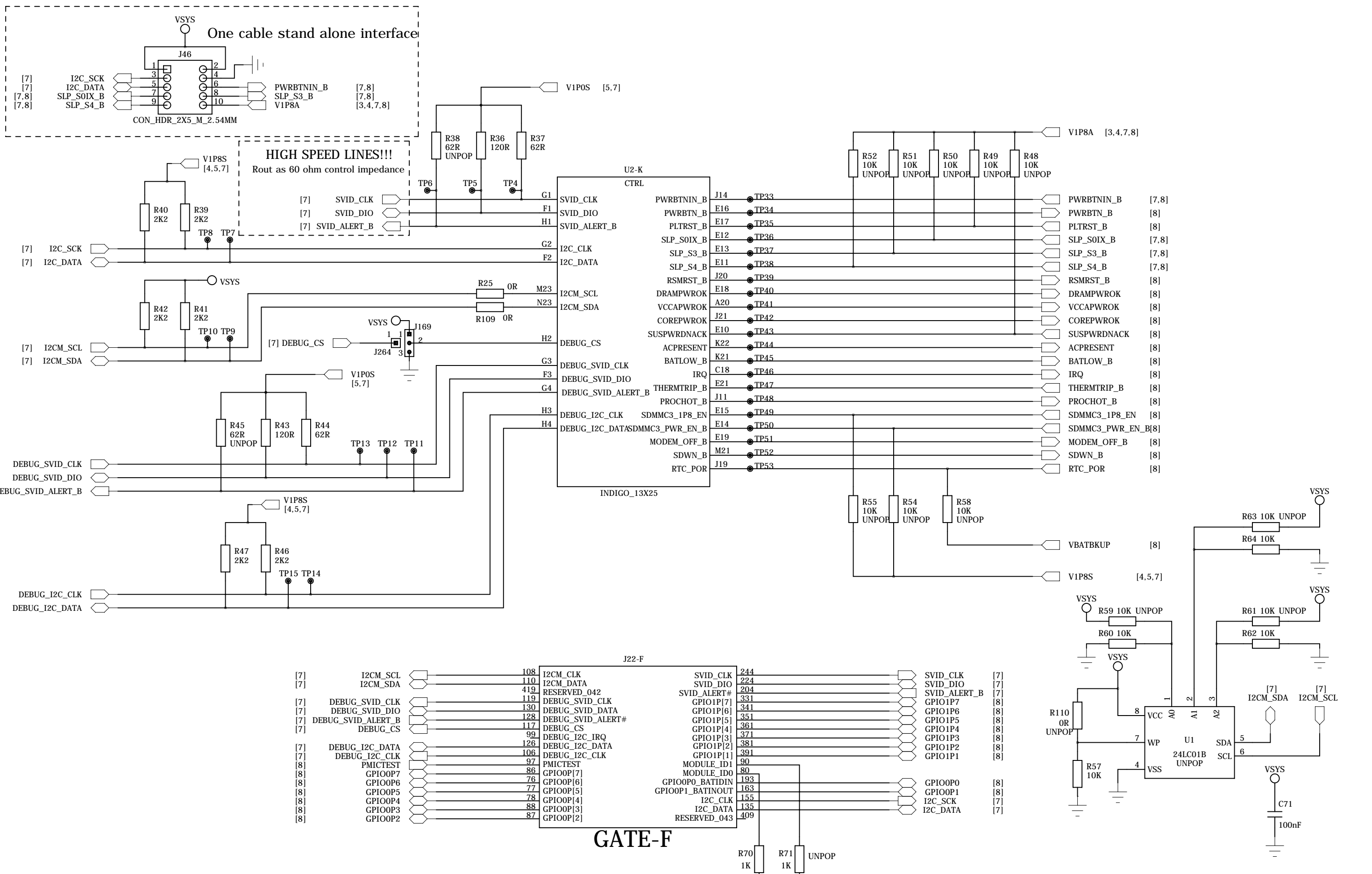
CONFIDENTIAL INFORMATION		TITLE: Transient Load Test Board	
PREPARED: DM	DATED: 25/01/2013	DRAWING NO: 44-179-166-03-C	REV: C
RESPONSIBLE: DM	DATED: <Approved Date>	SHEET NAME: V2P85+V5P0	PAGE: 5 OF 10





All of the reference components must be close to the IC

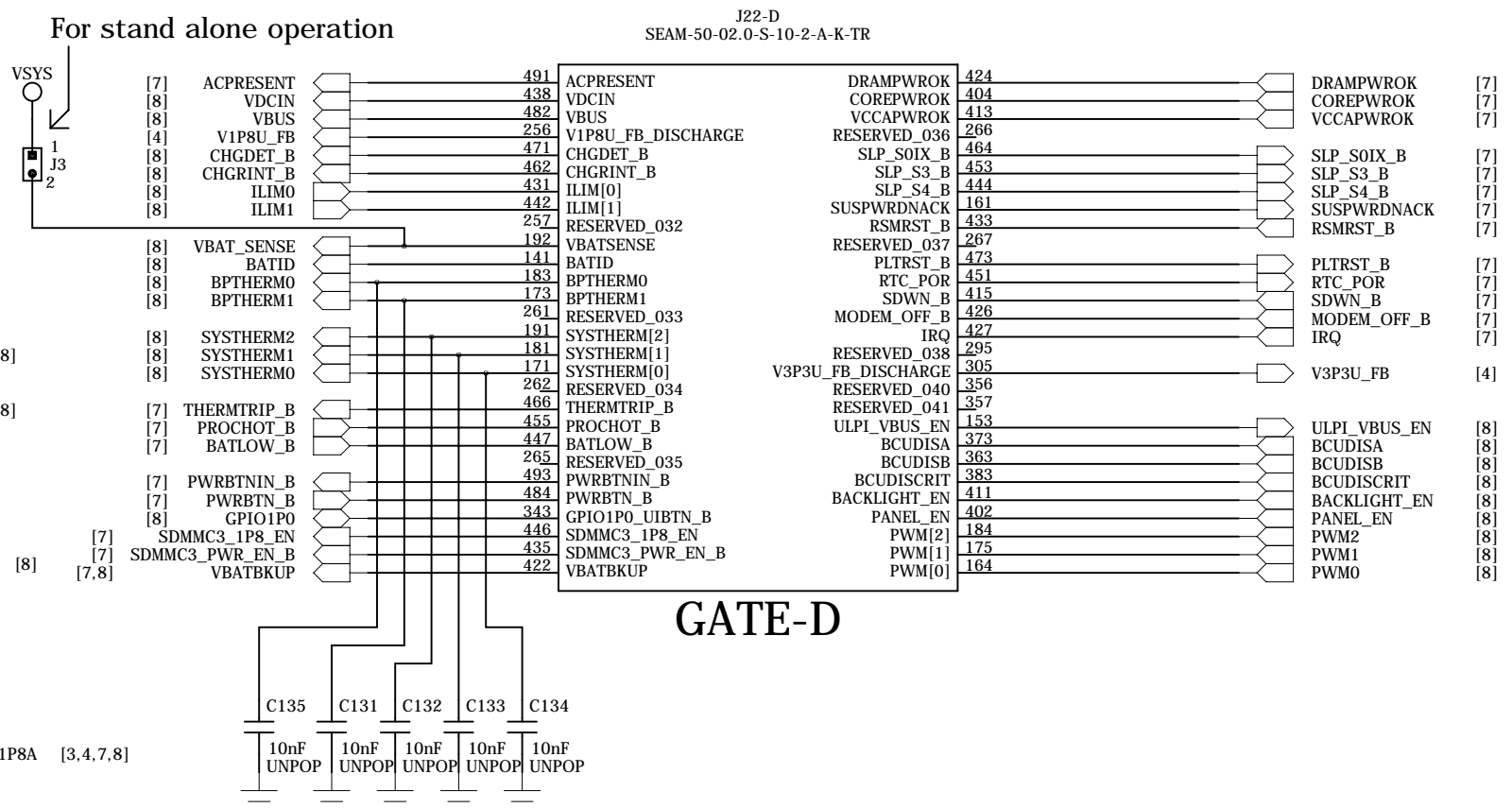
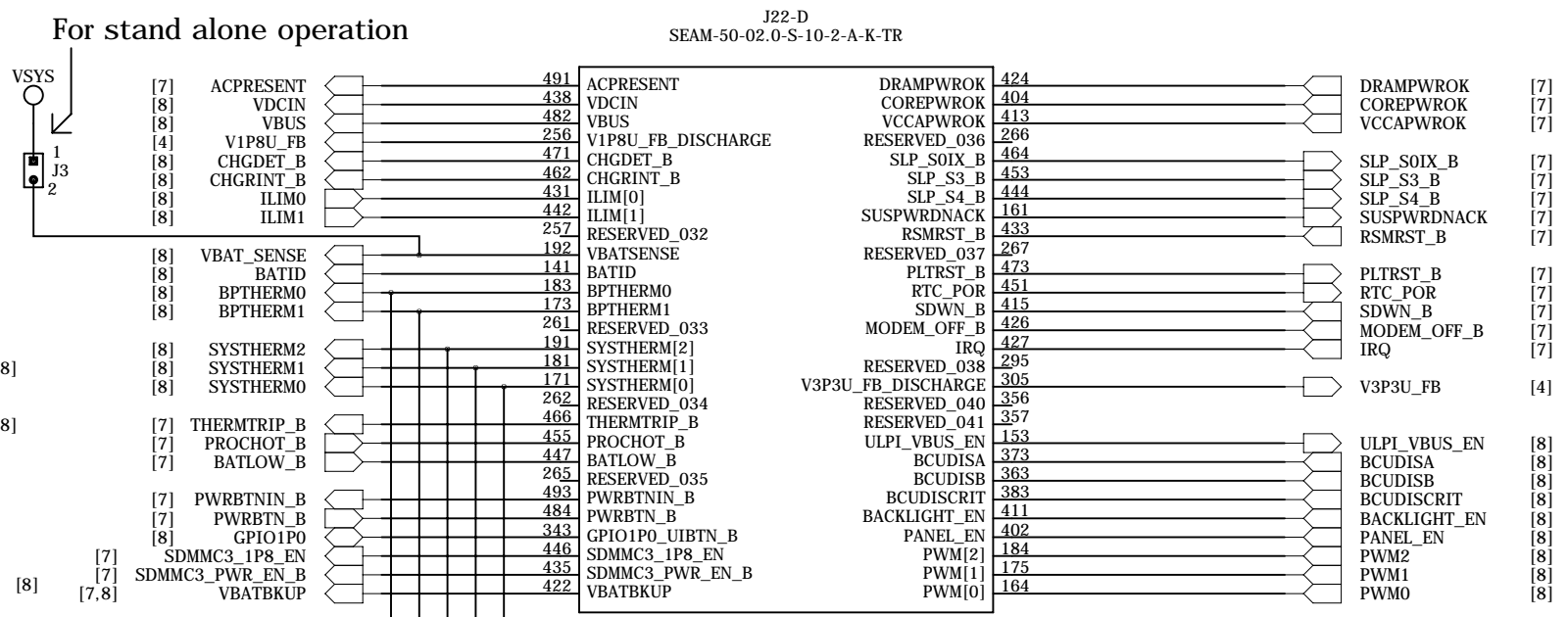
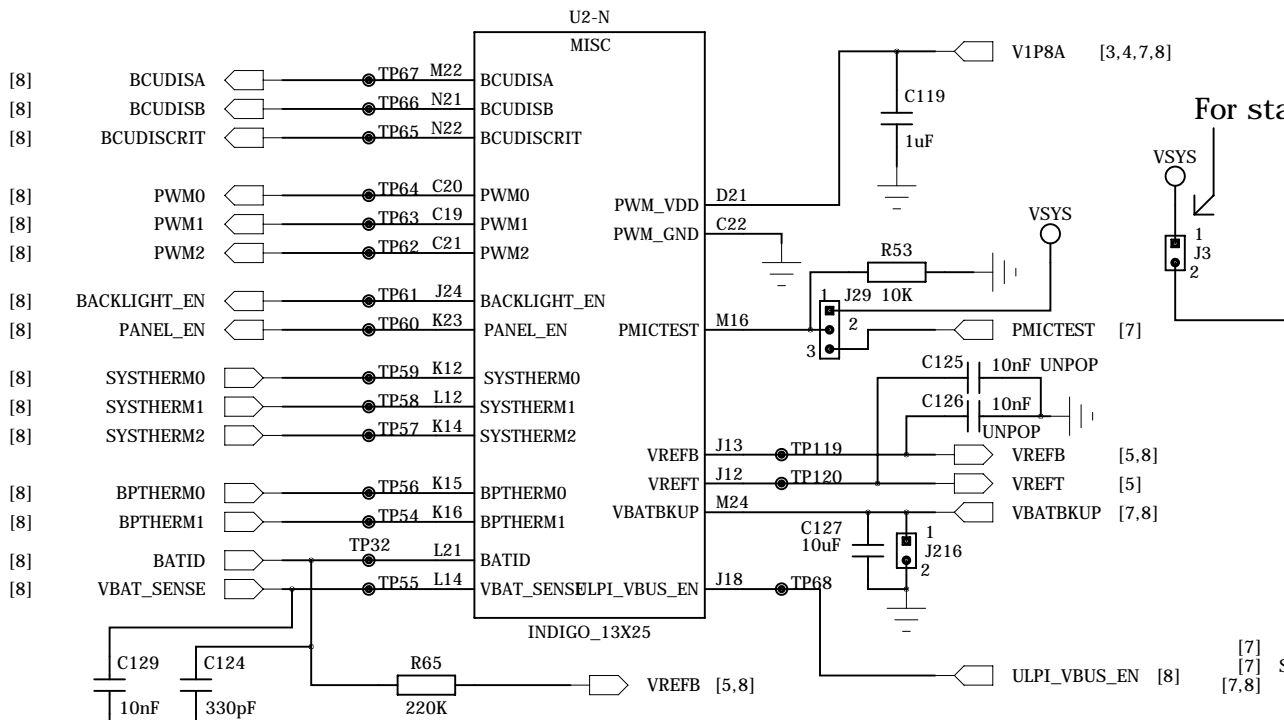
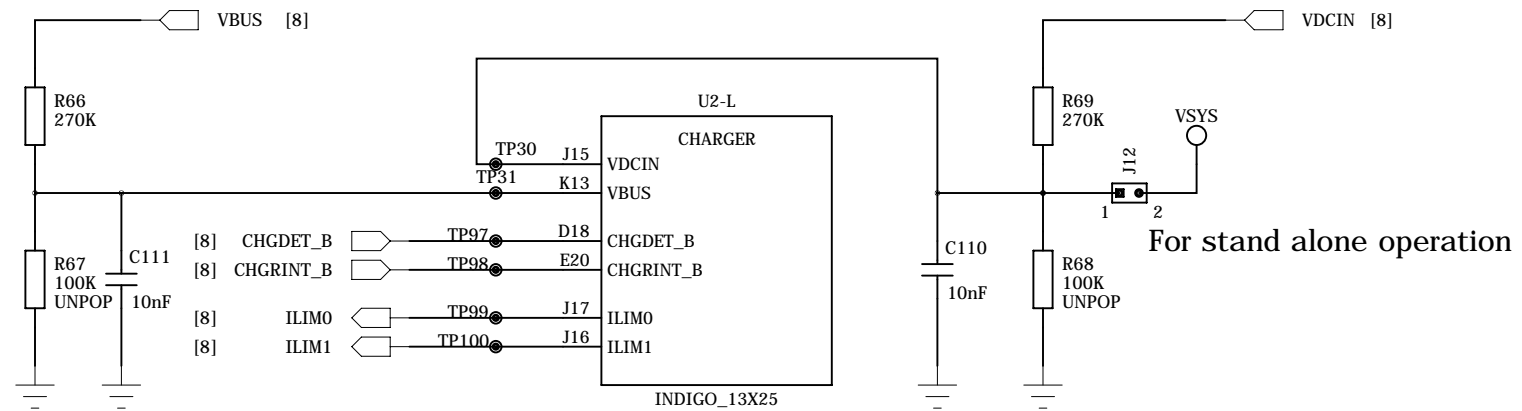
CONFIDENTIAL INFORMATION		TITLE: Transient Load Test Board		
PREPARED: DM	DATED: 25/01/2013	DRAWING NO: 44-179-166-03-C	REV: C	
RESPONSIBLE: DM	DATED: <Approved Date>	SHEET NAME: V1505S+ VSYS_S		PAGE: 6 OF 10



SCHEMATIC TEMPLATE REV PA2 (November 30, 2011) DIALOG DOCUMENT NUMBER 31-902-03

CONFIDENTIAL INFORMATION		TITLE: Transient Load Test Board	
PREPARED: DM	DATED: 25/01/2013	DRAWING NO: 44-179-166-03-C	REV: C
RESPONSIBLE: DM	DATED: <Approved Date>	SHEET NAME: INTERFACE	PAGE: 7 OF 10

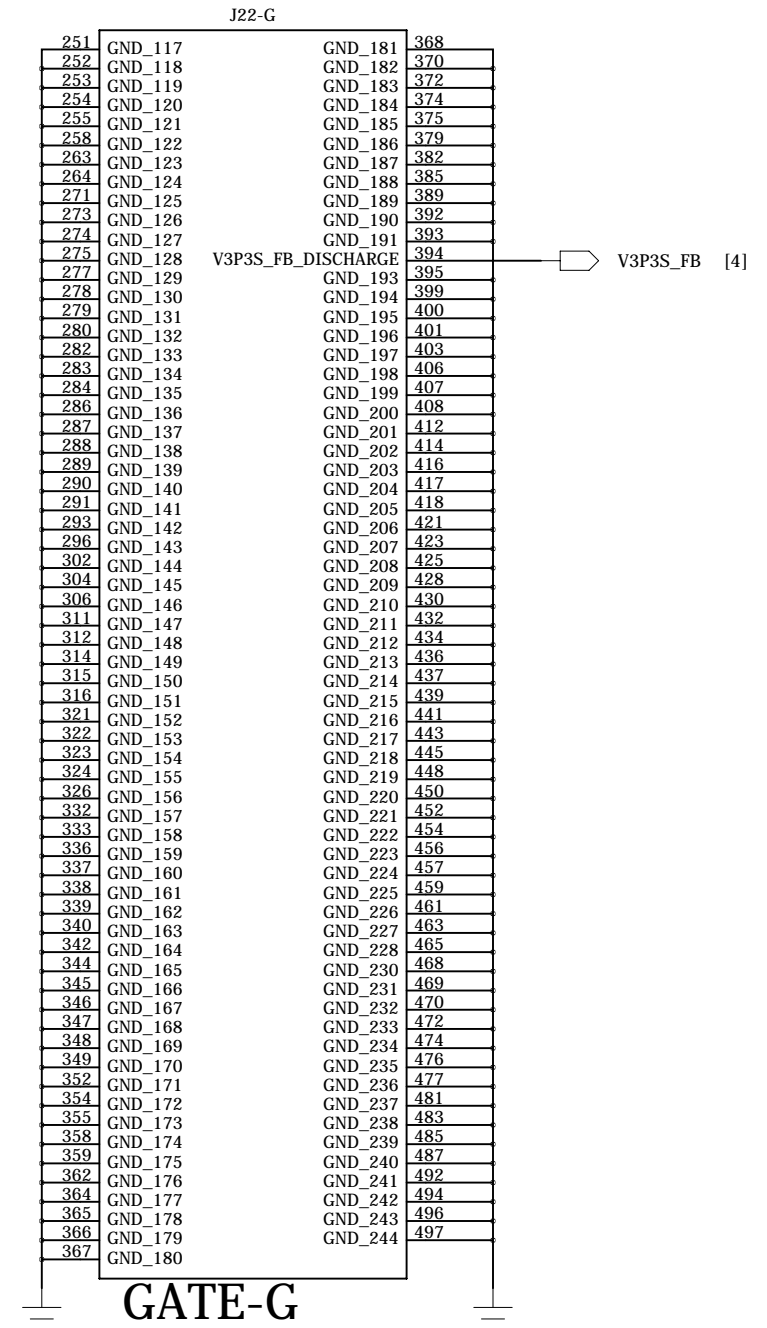
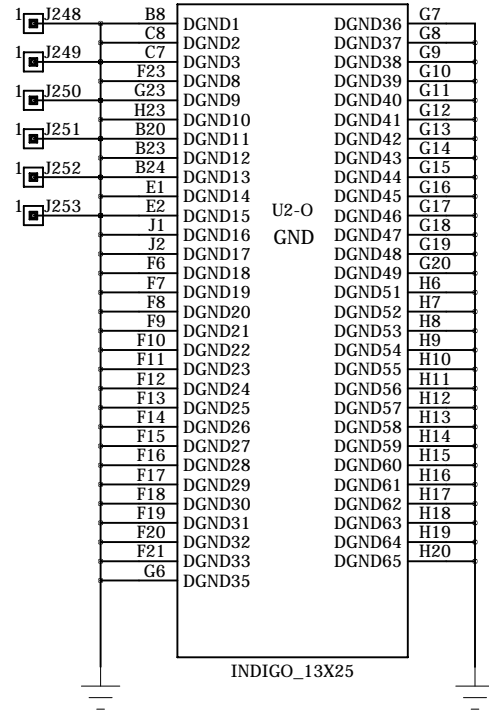
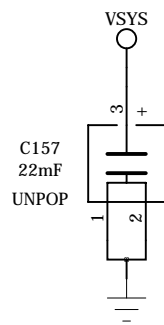
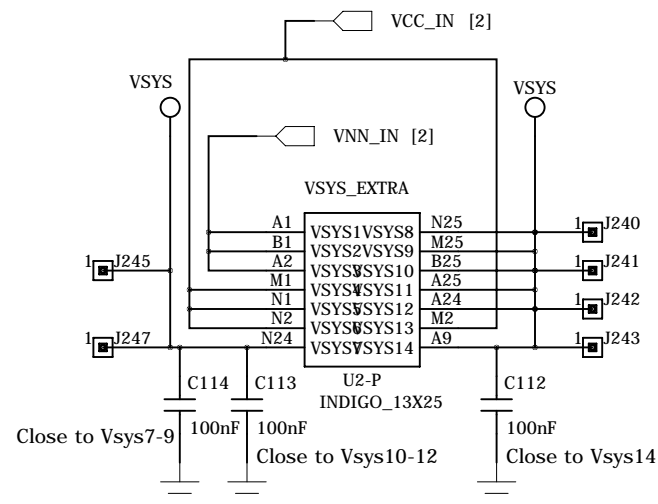




GATE-D

CONFIDENTIAL INFORMATION		TITLE: Transient Load Test Board	
PREPARED: DM	DATED: 25/01/2013	DRAWING NO: 44-179-166-03-C	REV: C
RESPONSIBLE: DM	DATED: <Approved Date>	SHEET NAME: CHARGER+GPIO	PAGE: 8 OF 10





CONFIDENTIAL INFORMATION

PREPARED: DM	DATED: 25/01/2013
RESPONSIBLE: DM	DATED: <Approved Date>

TITLE: Transient Load Test Board	
DRAWING NO: 44-179-166-03-C	REV: C
SHEET NAME: POWER_INPUT	



⊙ FID1 SMT Pad 1.25mm ⊙ FID2 SMT Pad 1.25mm ⊙ FID3 SMT Pad 1.25mm

⊙ FID4 SMT Pad 1.25mm ⊙ FID5 SMT Pad 1.25mm ⊙ FID6 SMT Pad 1.25mm

CONFIDENTIAL INFORMATION		TITLE: Transient Load Test Board	
PREPARED: DM	DATED: 25/01/2013	DRAWING NO: 44-179-166-03-C	REV: C
RESPONSIBLE: DM	DATED: <Approved Date>	SHEET NAME: MECHANICAL	PAGE: 100F 10

