

Figure 4. SLG59M1599V Connection Circuit

Content

1. Description
2. Power and Ground Planes

Description

The SLG59M1599V is a 40 mΩ, ~ 1 A dual-channel load switch that is able to switch 1.0 to 5.5 V power rails. The product is packaged in an ultra-small 1 x 1.6 mm package.

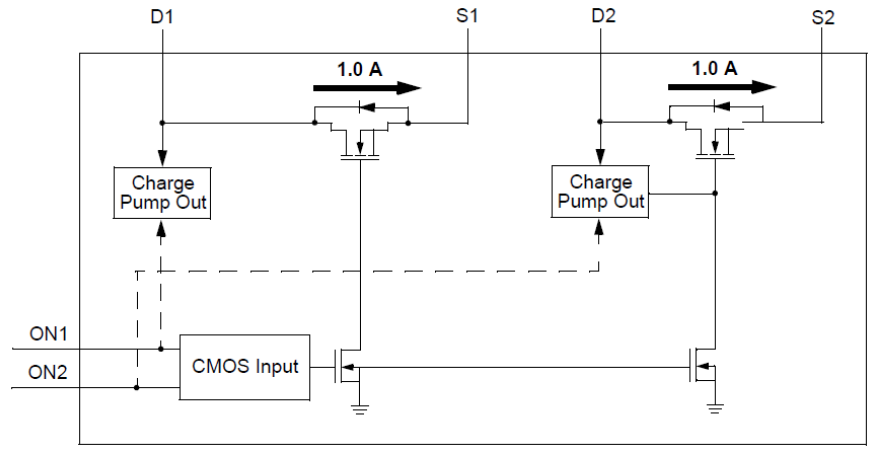


Figure 1: SLG59M1599V Block Diagram

This layout guide provides some important information about the PCB layout of SLG59M1599V applications.

SILEGO STDFN 1 x 1.6 - 8L PKG

Unit: um

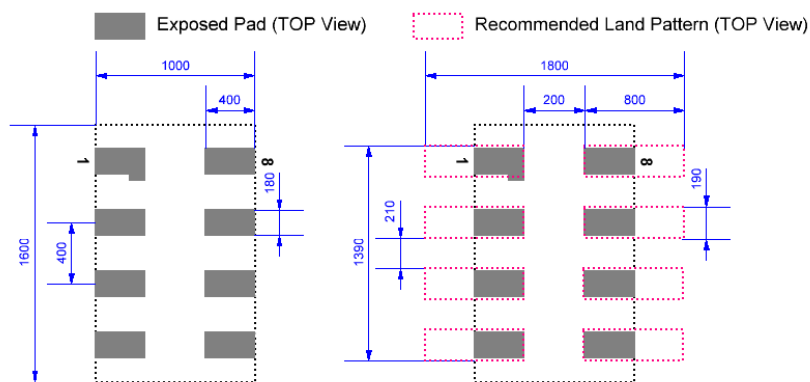


Figure 2. SLG59M1599V Package Dimensions and Recommended Land Pattern

Please solder your SLG59M1599V here

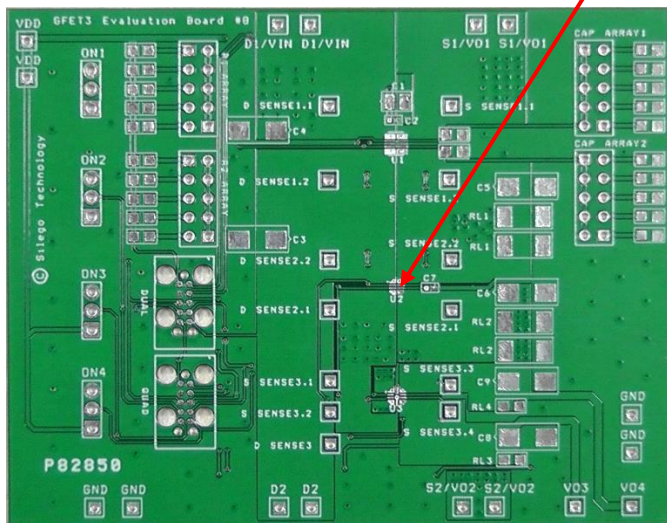


Figure 3. SLG59M1599V Evaluation Test Board

Note: Evaluation board has D_Sense and S_Sense pads. Please use them only for RDS(ON) evaluation.

2. Power and Ground Planes

- 2.1. The VDD pin needs 0.1uF external capacitor to smooth pulses from the power supply. Locate these capacitor close to PIN6.
- 2.2. The trace length from the control IC to the ON pin should be as short as possible and must avoid crossing this trace with power rails.
- 2.3. The D and S pins carry significant current. Please note how the D and S pads are placed directly on the power planes in Figure 3, which minimizes the RDS(ON) associated with long, narrow traces. The D and S pins dissipate most of the heat generated during high-load current condition. The layout shown in Figure 3 is illustrating a proper solution for heat to transfer as efficiently as possible out of the device.
- 2.4. The GND pin (PIN7) should be connected to GND.
- 2.5. 2 oz. copper is recommended for higher currents.