

# DA1458x Reference Design

Design Name	da1458x_qfn40_prodb_va1
Supported chips	DA14580,DA14581,DA14583,DA14585(default),DA14586
Ref. Number	321-2-A1
Version	A01
Date	May , 02, 2017
Designer	PR KR

History Table		
Version	Date	Comments
A00	19 /Oct / 2016	Initial Schematic
A01	02 /May / 2017	1.R7 changed to 1Kohm 2.Xtall Y2 changed to TXC 9HT11-32.768KDZB-T (6pF)

Configuration note

NOTE box

Changes in this Version.



Label\_Dialog\_L6008

—○ TP11 FIDUCIAL

—○ TP12 FIDUCIAL

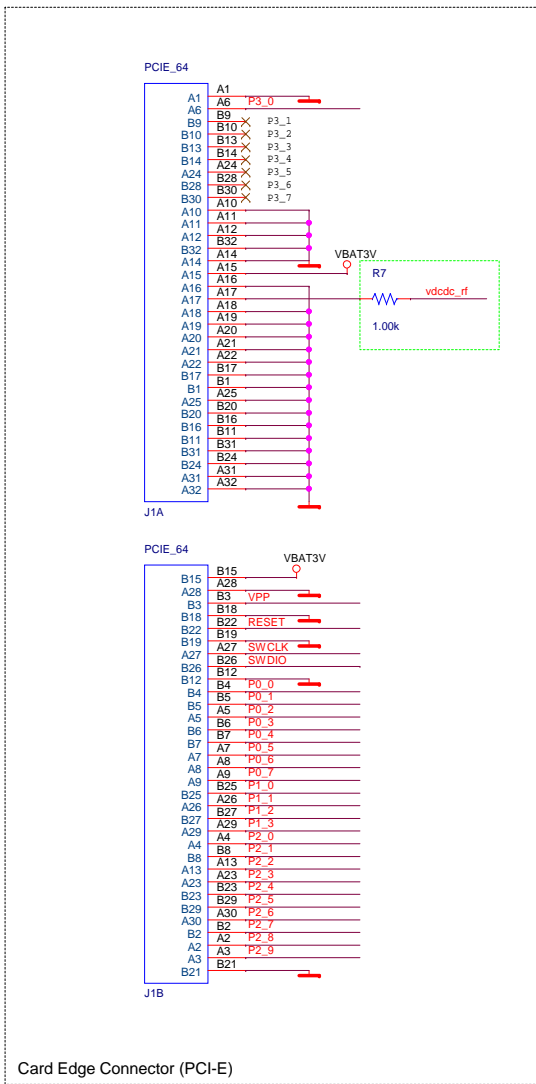


<Variant Name>

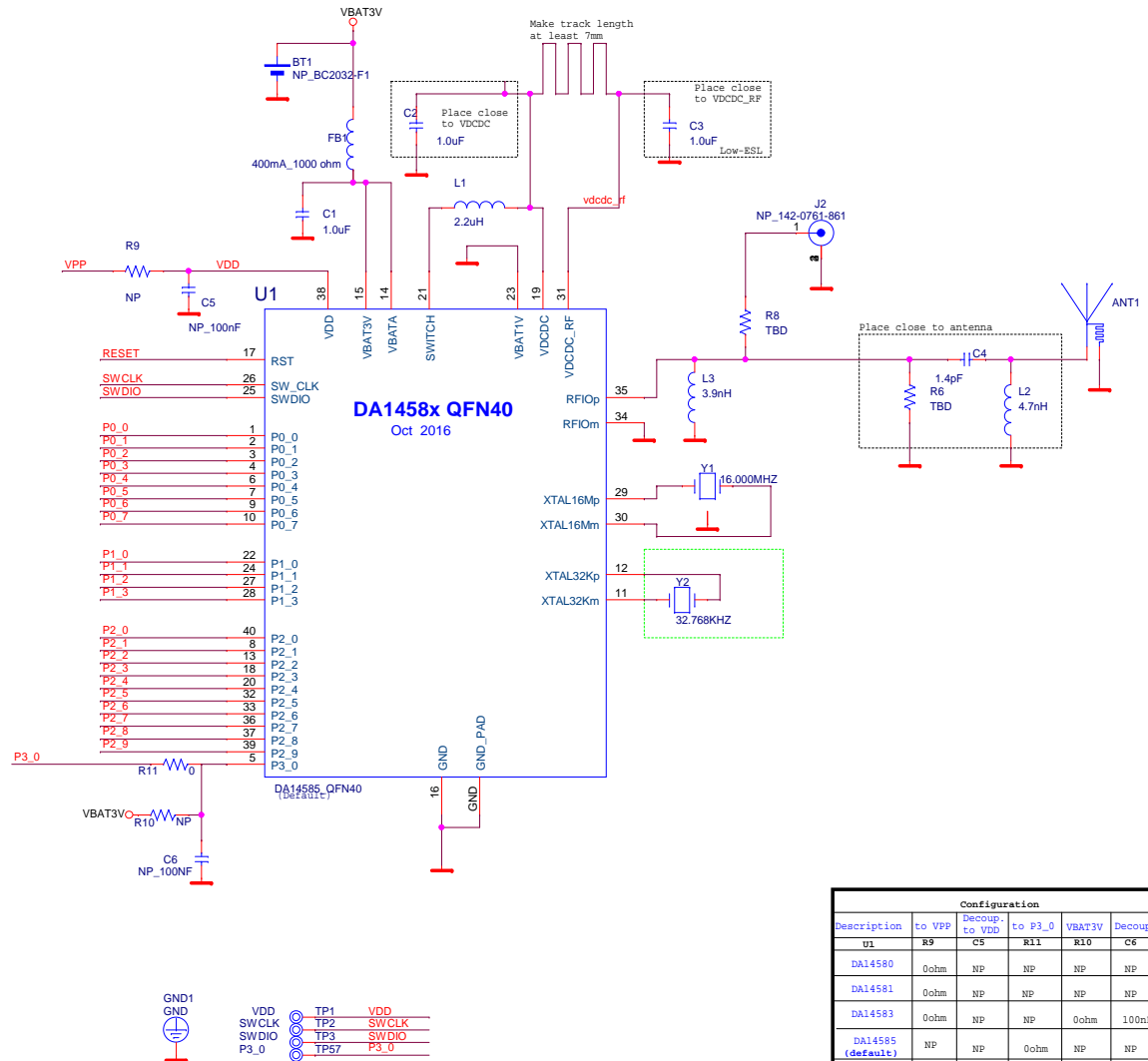


Dialog Semiconductor  
N.E.O. Athinon- Patron 15  
26441, Patra, Greece  
tel. (+30) 2610390940  
fax. (+30) 2610390941

Title : da1458x_qfn40_prodb		
Doc. Nr.	Designer: PR	Rev:A
Date: Friday, May 05, 2017	Sheet: 0 of	1



Card Edge Connector (PCI-E)



<Variant Name>



Title:	da1458x_qfn40_prodb		Rev:	A
Doc. Nr.	Designer:	PR		
Date:	Friday, May 05, 2017	Sheet:	1	of 1