

DA14583 Reference Design

| | |
|-------------|----------------|
| Design Name | DA14583DEVKT-B |
| Ref. Number | 285-02-A |
| Version | A00 |
| Date | Mar, 03, 2015 |
| Designer | FvD-NT |
| | |

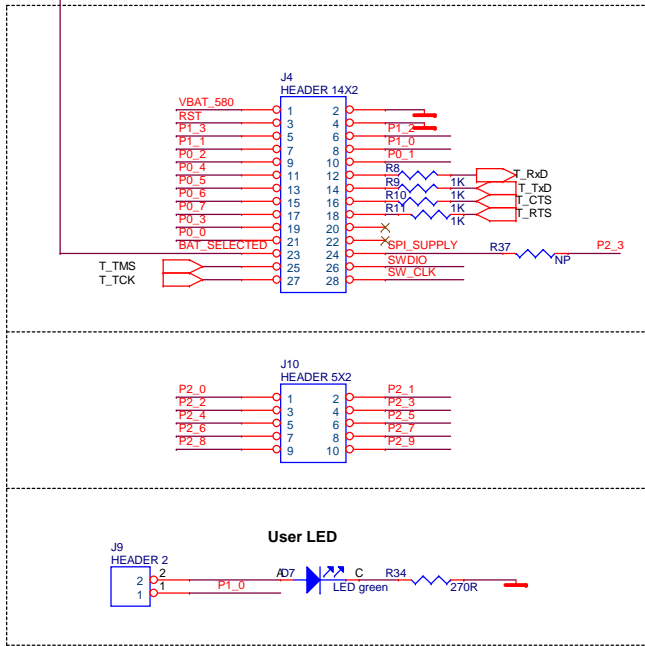
| History Table | | |
|---------------|----------------|-------------------|
| Version | Date | Comments |
| A00 | 03 /Mar / 2015 | Initial Schematic |
| | | |

Configuration note

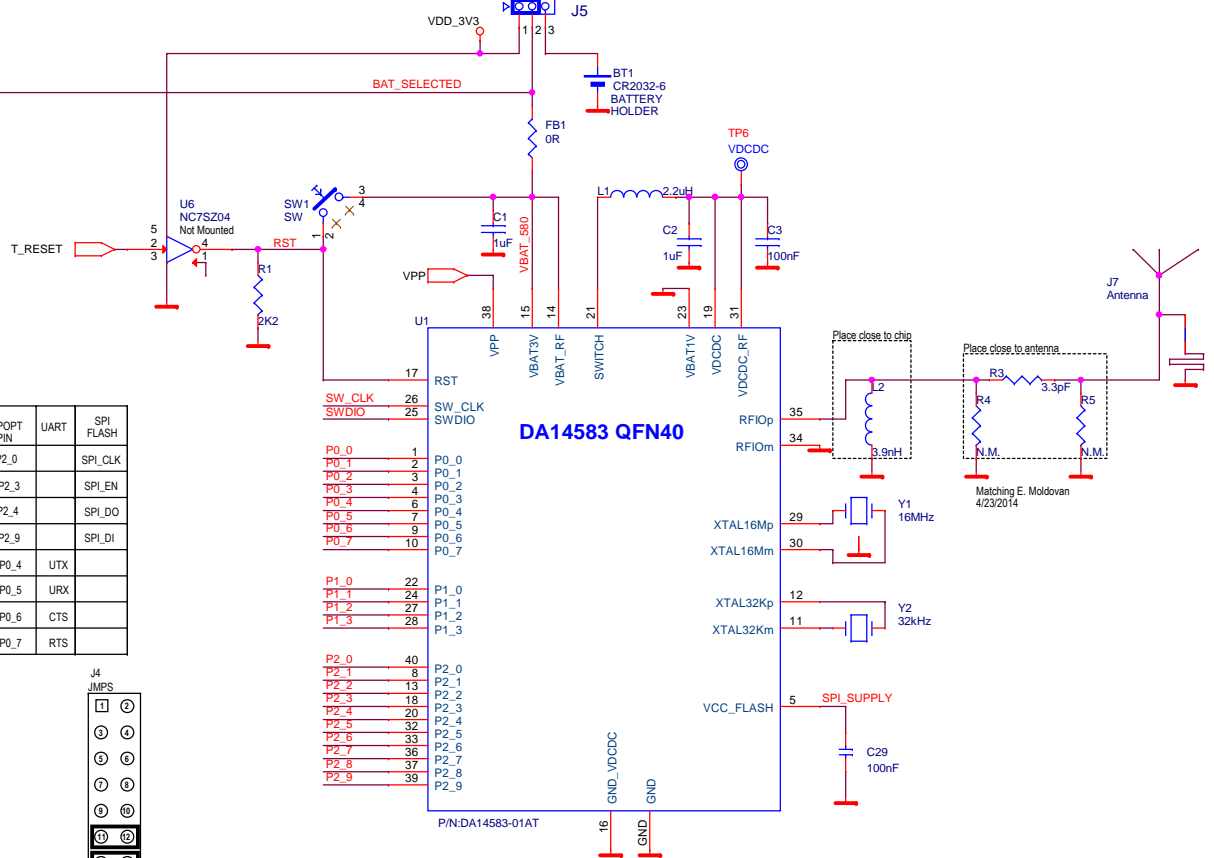
NOTE box

Changes in this Version.

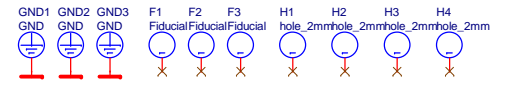
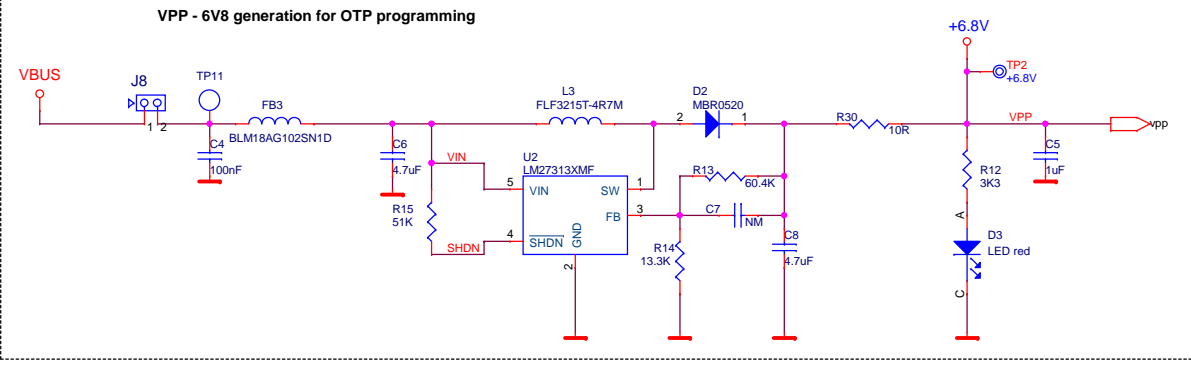




| POPT PIN | UART | SPI FLASH |
|----------|------|-----------|
| P2_0 | | SPI_CLK |
| P2_3 | | SPI_EN |
| P2_4 | | SPI_DO |
| P2_9 | | SPI_DI |
| P0_4 | UTX | |
| P0_5 | URX | |
| P0_6 | CTS | |
| P0_7 | RTS | |



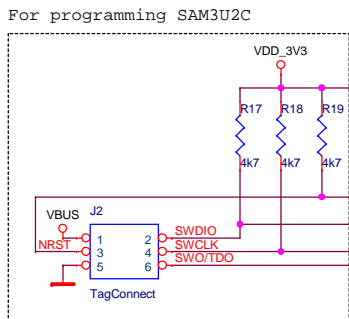
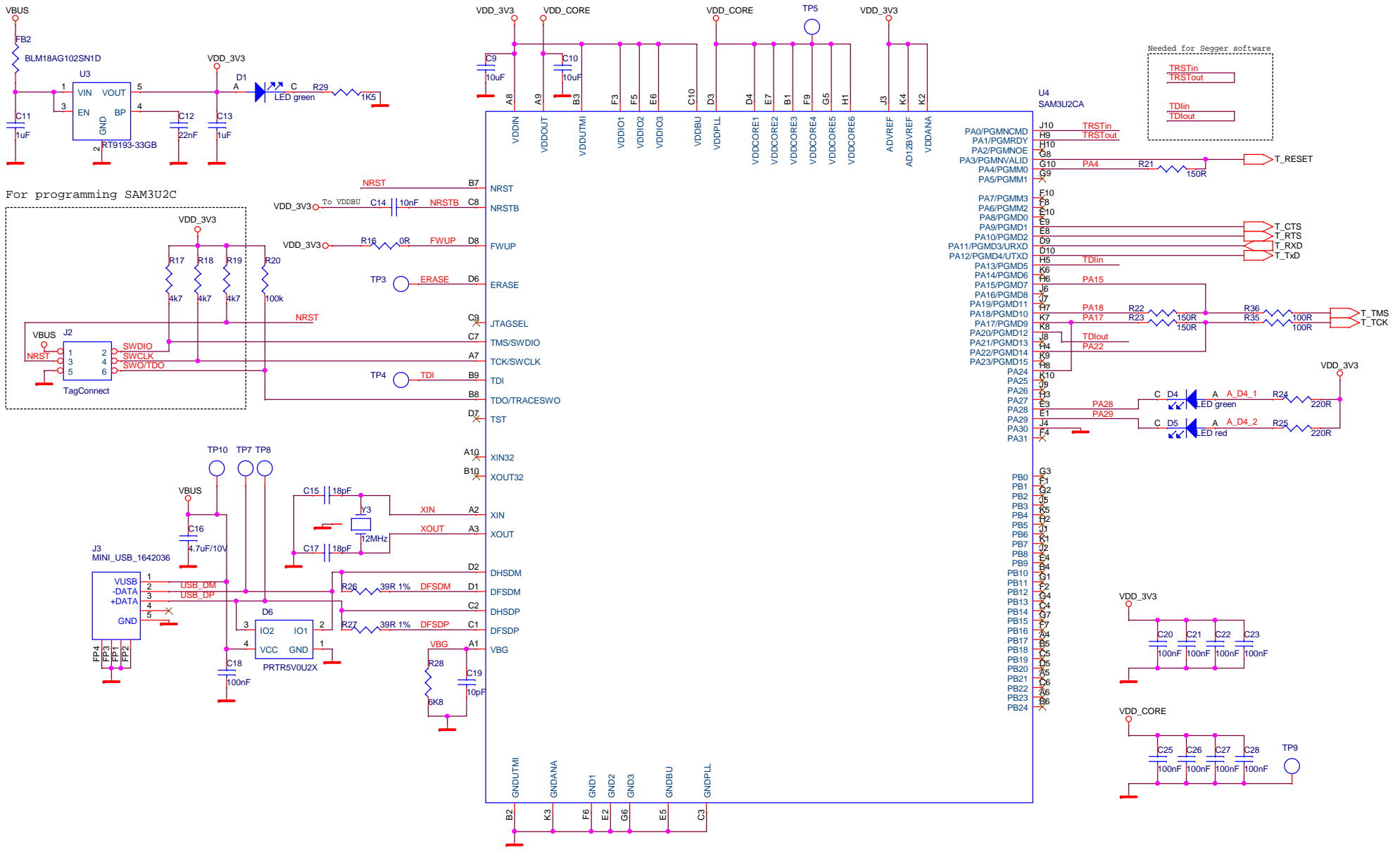
VPP - 6V8 generation for OTP programming



dialog SEMICONDUCTOR

Dialog Semiconductor
Het Zuiderhuis 53
3215 MV s-Herengobosch
tel. (+31) 73 6408822
fax. (+31) 73 6408823

Title: DA14583DEVKT-B
Doc. Nr. 285-02-A Designer: FvD-NT Rev. A
Date: Tuesday, March 17, 2015 Sheet: 1 of 2



Needed for Segger software

TRSTin
TRSTout

TDlin
TDIout