



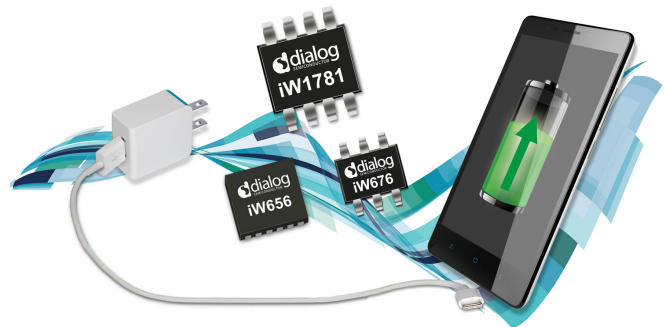
USB Power Delivery AC/DC Solution

Complete System Solution for USB PD Travel Adapters

Dialog's iW656+iW1781+iW676 USB Power Delivery AC/DC chipset offers a complete system solution with the lowest component count for travel adapters.

The iW656 USB PD interface controller resides on the secondary side of the AC/DC power supply and manages the communication between the power adapter and mobile device.

The iW656 works with Dialog's iW1781 **RapidCharge™** primary-side controller. It transmits all necessary information via an optocoupler to the primary side, including voltage requests, output current limits, output voltage undershoot, output over-voltage, and fault and reset signals.



The iW676 synchronous rectifier eliminates the need for a parallel Schottky diode for higher efficiency and lower BOM cost, enabling the high power density needed for small form-factor USB PD adapters.

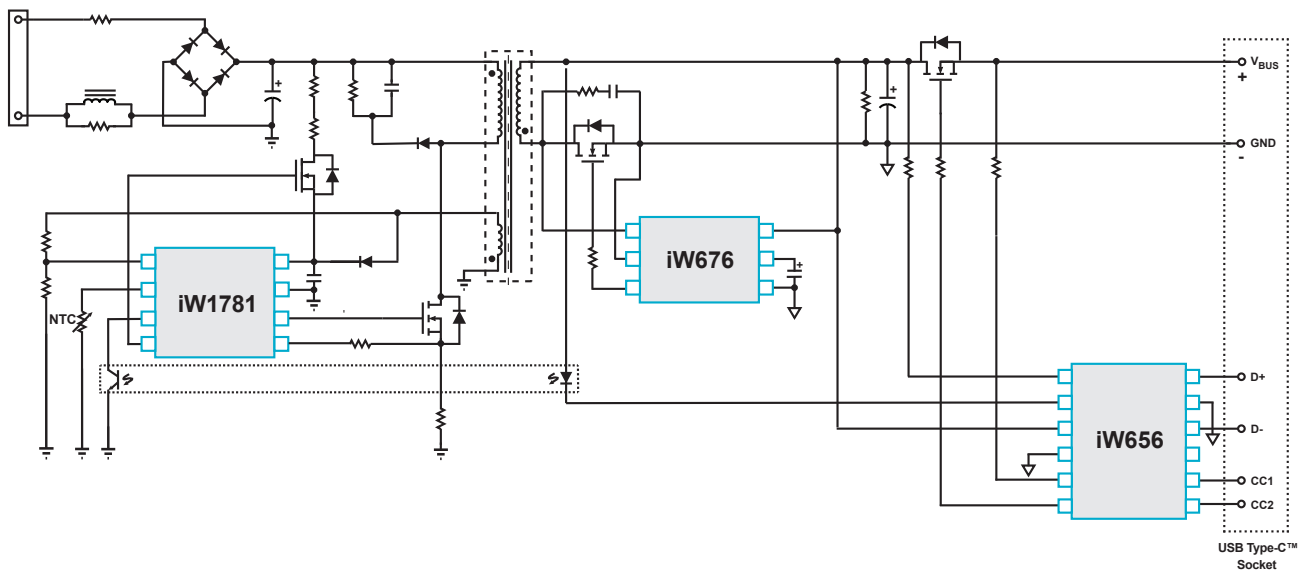
iW656+iW1781+iW676 Features

- ▶ USB-IF PD certified (USB PD 2.0)
- ▶ Compatible with USB Type-C™ Rev. 1.2
- ▶ Secondary-side NMOS V_{BUS} switch lowers system cost
- ▶ Ultra-low no-load power consumption < 20mW
- ▶ Robust protection features
 - Over-voltage protection
 - Over-current protection
 - Output short protection
 - Over-temperature protection
- ▶ Double-layer cable protection
 - D+/D-/CC1/CC2 over-voltage protection (iW656)
 - **SmartDefender™** advanced hiccup technology (iW1781)
- ▶ Optional support for
 - Qualcomm® Quick Charge™ 3.0
 - Qualcomm® Quick Charge™ 2.0
 - Direct Charge
 - Other **RapidCharge™** protocols

iW656+iW1781+iW676 USB PD AC/DC Adapter Chipset

AC/DC PWM Controller	USB PD Controller	Synchronous Rectifier Controller	Output Power Typical	Output Voltage Range	No-Load Standby Power	Efficiency
iW1781	iW656	iW676	15W – 45W	3 – 20V	< 20mW	90% efficiency with iW676 synchronous rectifier

iW656+iW1781+iW676 Typical Application Diagram



Dialog Semiconductor Worldwide Sales Offices - www.dialog-semiconductor.com email: info_pcbg@diasemi.com

United Kingdom
Phone: +44 1793 757700

The Netherlands
Phone: +31 73 640 88 22

Japan
Phone: +81 3 5425 4567

Singapore
Phone: +65 648 499 29

Korea
Phone: +82 2 3469 8200

Germany
Phone: +49 7021 805-0

North America
Phone: +1 408 845 8500

Taiwan
Phone: +886 281 786 222

Hong Kong
Phone: +852 3769 5200

China (Shenzhen)
Phone: +86 755 2981 3669
China (Shanghai)
Phone: +86 21 5424 9058

This publication is issued to provide outline information only, which unless agreed by Dialog Semiconductor may not be used, applied, or reproduced for any purpose or be regarded as a representation relating to products. All use of Dialog Semiconductor products, software and applications referred to in this document are subject to Dialog Semiconductor's [Standard Terms and Conditions of Sale](http://www.dialog-semiconductor.com), available on the company website (www.dialog-semiconductor.com) unless otherwise stated.

Dialog, the Dialog logo, and RapidCharge are trademarks of Dialog Semiconductor plc or its subsidiaries. Qualcomm is a trademark of Qualcomm Incorporated, registered in the United States and other countries. Qualcomm Quick Charge is a trademark of Qualcomm Incorporated. All Qualcomm Incorporated marks are used with permission. All other product or service names are the property of their respective owners.

© Dialog Semiconductor 2017. All rights reserved. 0617GDA