

# REVISION TABLE

| REV. | DATE       | ENGINEER | NOTES  |
|------|------------|----------|--|
| A00  | 16/10/2016 | GF       | Initial version.   |
| A01  | 17/10/2016 | GC       | Some refdes changed to match board i will be using as my starting point. Silkscreen label at header J7 changed to OUT. Silkscreen label at header J3 changed to IN. Silkscreen labels added at RF connectors. Two single blue jumper links removed at headers J18 & J19 and replaced with one double black jumper link. Two single blue jumper links removed at header J22 and replaced with one double black jumper link. |
| A02  | 25/10/2016 | GC       | 1x2 header J7 removed. RF connectors J35, J52, J53 changed to Unpop. Resistors R46, R47, R60 changed to Unpop.   |
| A03  | 09/01/2017 | GF       | Added a clarifying note on page 1, explaining that C1M/C2M are used interchangeably with C1N/C2N.  |
|      |            |          |  |
|      |            |          |  |
|      |            |          |  |
|      |            |          |  |
|      |            |          |  |
|      |            |          |  |
|      |            |          |  |
|      |            |          |  |
|      |            |          |  |
|      |            |          |  |

# MECHANICAL PARTS

NOTE: C1M = C1N  
C2M = C2N

# MECHANICAL

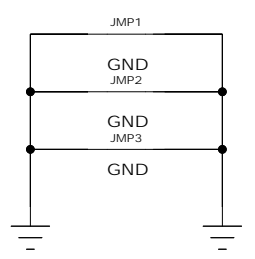
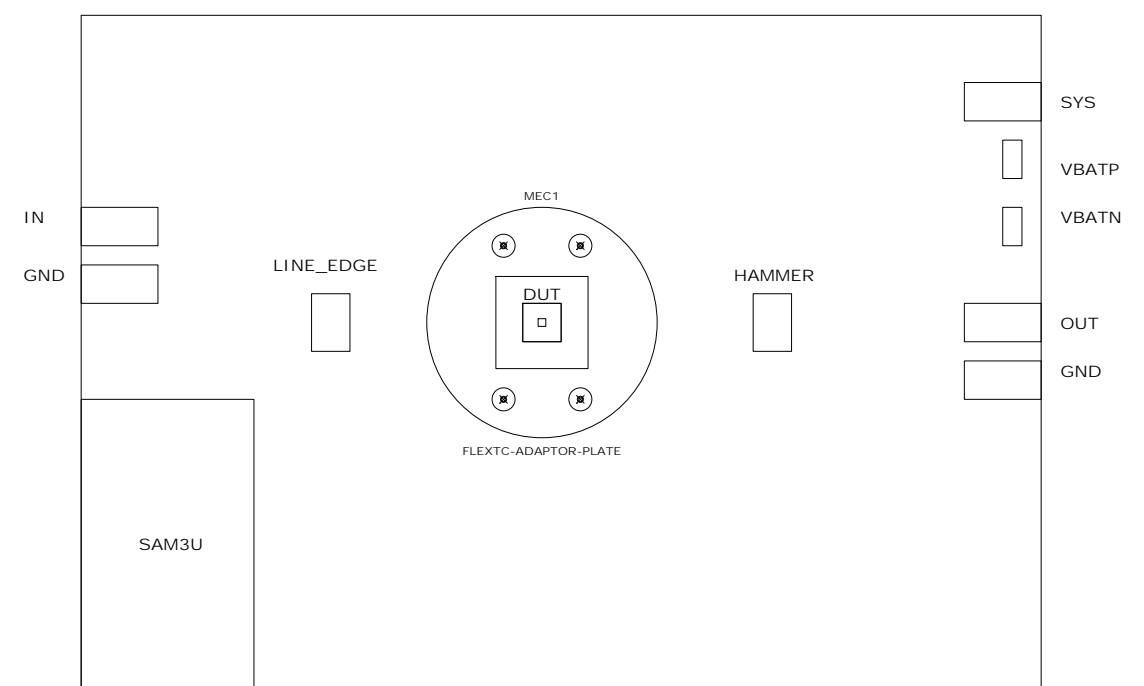
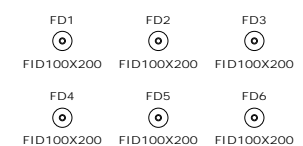
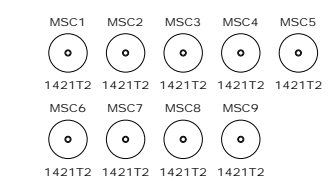


3

3

4

4



LAYOUT NOTE: SPREAD GND LOOPS EVENLY AROUND THE BOARD.  
LAYOUT NOTE: REFER TO REDWOOD\_RECOMMENDED\_LAYOUT.PDF

|   |                                  |                         |                             |  |
|---|----------------------------------|-------------------------|-----------------------------|--|
| DESIGNED BY:<br>Greg Fattig<br><br>REVIEWED BY:<br>GF, GC | CONFIDENTIAL<br>INFORMATION      | SIZE<br>A3L             | TITLE:<br>DA9318 EVB Solder |  |
|   | SAVED DATE:<br>16/03/2017: 11:05 | DRAWING NO:<br>329-01-A | REV:<br>A01                 |  |
| REVISED DATE:<br>27/09/2016                               | SHEET NAME:<br>REVISION          |                         | PAGE:<br>1 of 7             |  |

A

B

C

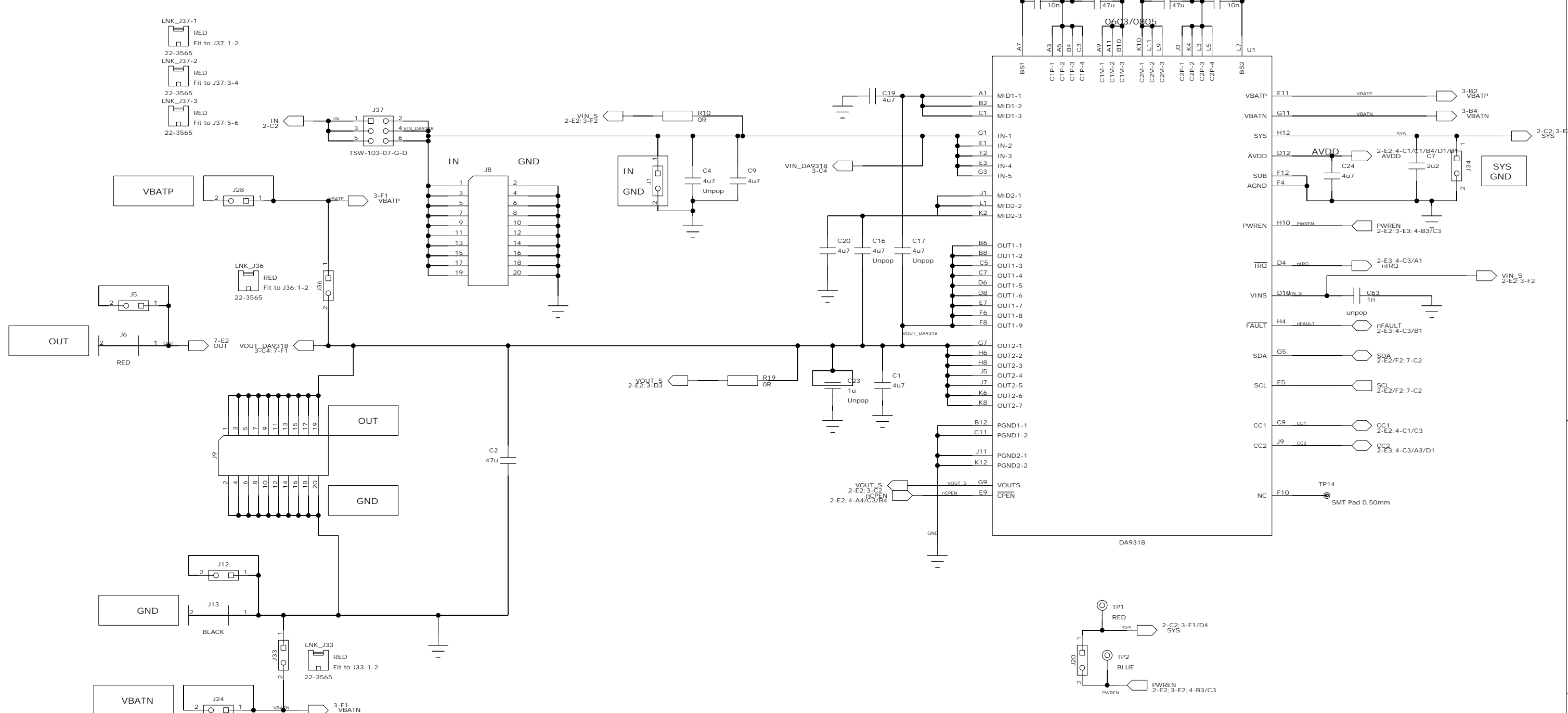
D

E

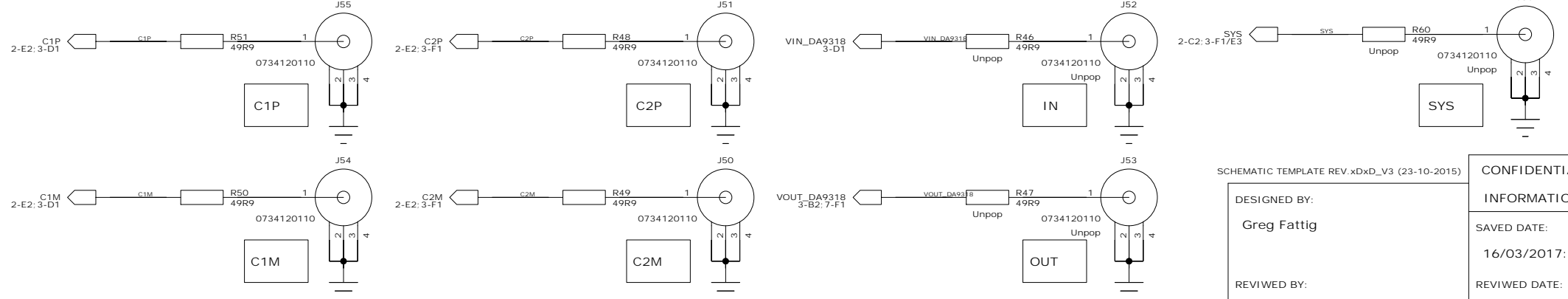
F



# CHARGE PUMP



RF connectors should kelvin connect to corresponding pin on U1



|  |             |                |                   |                   |          |
|--|-------------|----------------|-------------------|-------------------|----------|
| SCHEMATIC TEMPLATE REV. xDxD_V3 (23-10-2015) |             | CONFIDENTIAL   | SIZE              | TITLE:            |          |
| DESIGNED BY:                                 | Greg Fattig | INFORMATION    | A3L               | DA9318 EVB Solder |          |
| REVIEWED BY:                                 | GF, GC      | SAVED DATE:    | 16/03/2017: 11:06 | DRAWING NO:       | 329-01-A |
|  |             | REVIEWED DATE: | 27/09/2016        | REV:              | AO1      |
|  |             | SHEET NAME:    | CP                | PAGE:             | 3 of 7   |

A

B

C

D

E

F

1

1

2

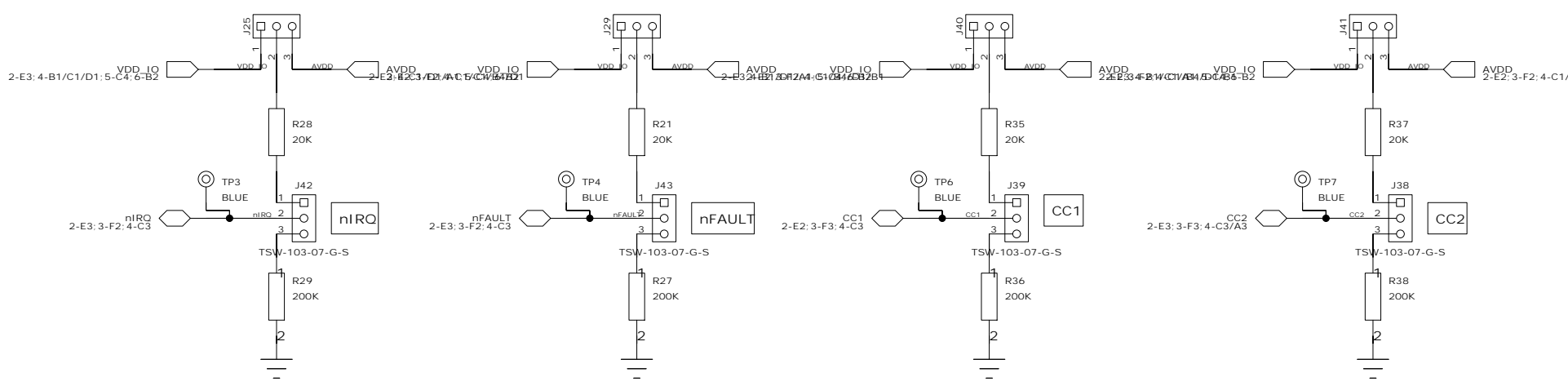
2

3

3

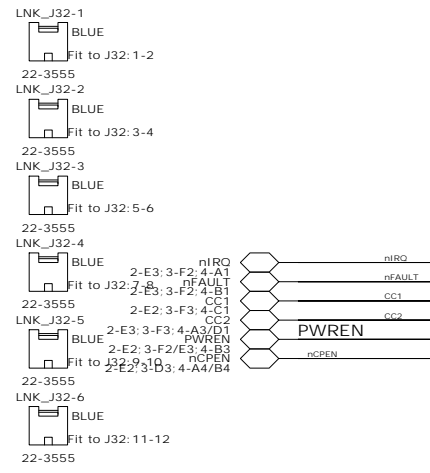
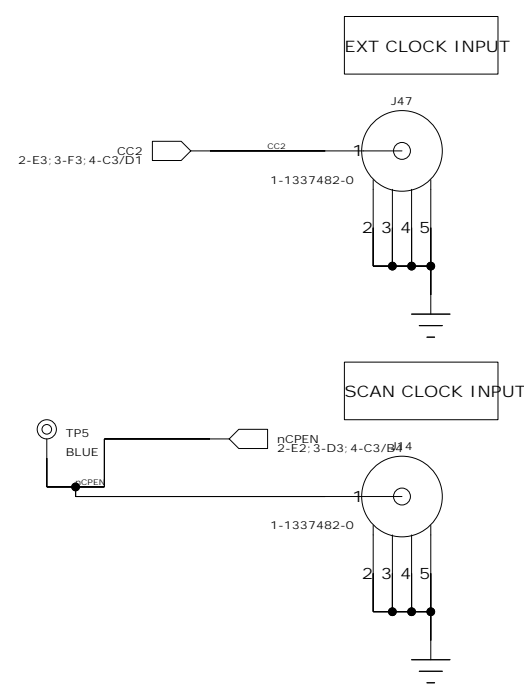
4

4

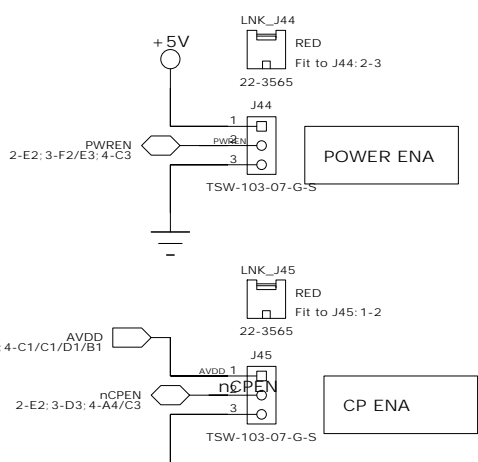
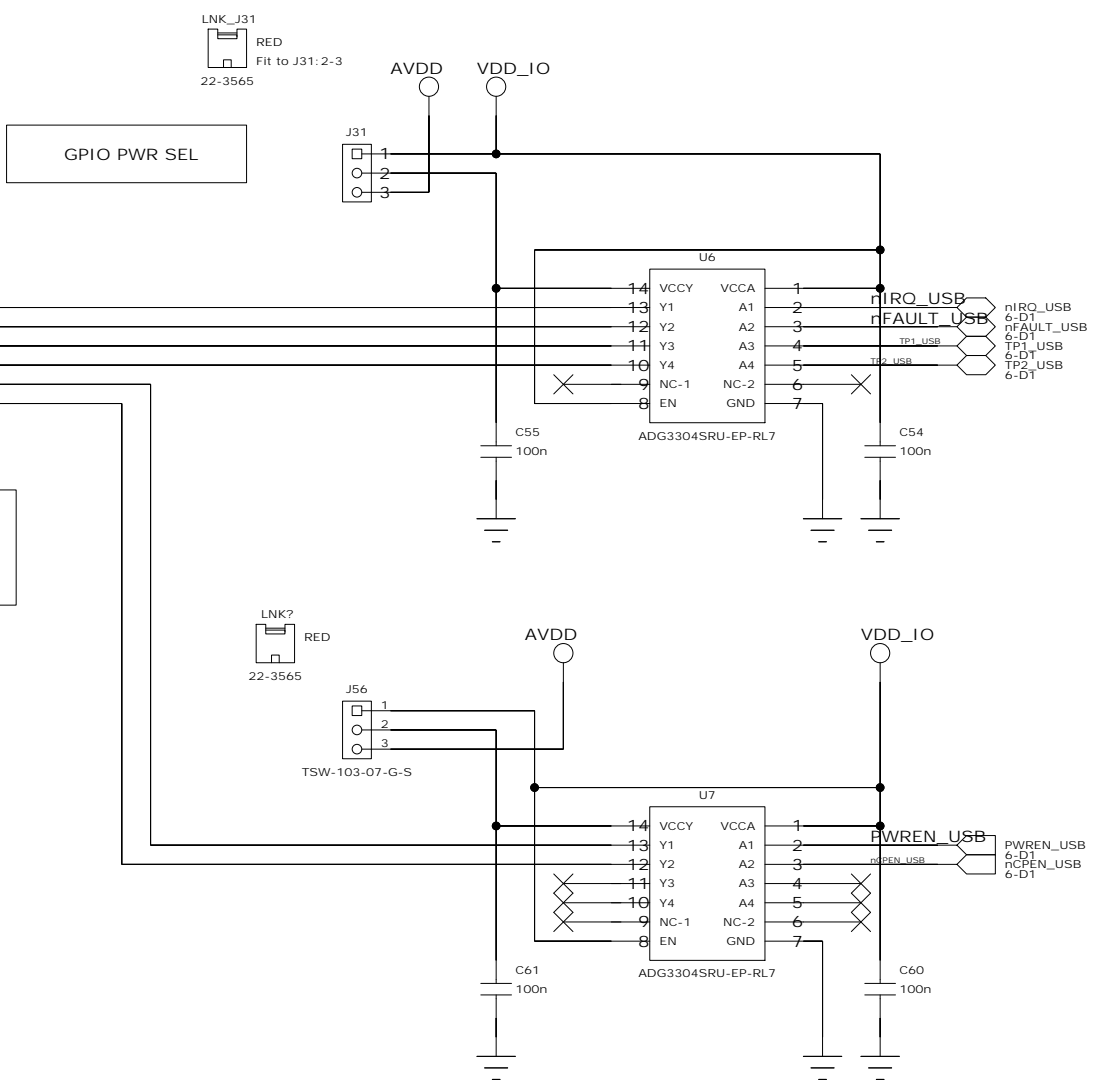


|                    |            |
|--------------------|------------|
| J25, J29, J40, J41 | PU PWR SEL |
| 1-2                | VDD IO     |
| 2-3                | AVDD       |

|                    |                 |
|--------------------|-----------------|
| J38, J39, J42, J43 | PU or PD select |
| 1-2                | Pull Up         |
| 2-3                | Pull Down       |



SIGNALS:  
nIRO  
nFAULT  
CC1  
CC2  
PWREN  
nCPEN



# GPIOs

SCHEMATIC TEMPLATE REV. xDxD\_V3 (23-10-2015)

DESIGNED BY:  
Greg Fattig

REVIWED BY:  
GF, GC

|                                  |                         |                             |              |
|----------------------------------|-------------------------|-----------------------------|--------------|
| CONFIDENTIAL INFORMATION         | SIZE A3L                | TITLE:<br>DA9318 EVB Solder |              |
| SAVED DATE:<br>16/03/2017: 11:05 | DRAWING NO:<br>329-01-A | REV:<br>AO1                 |              |
| REVIWED DATE:<br>27/09/2016      | SHEET NAME:<br>GPIOs    |                             | PAGE: 4 of 7 |



A

B

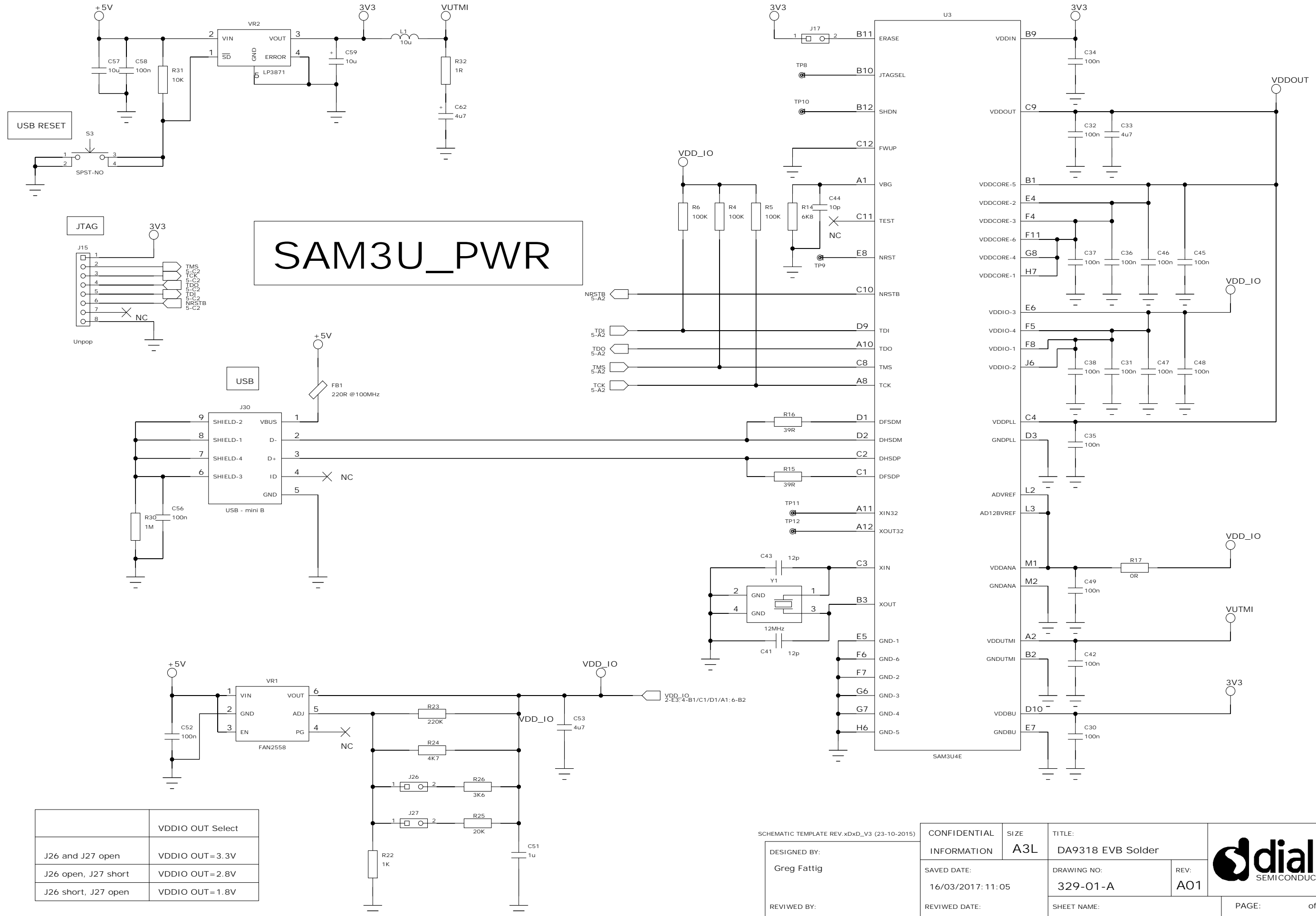
C

D

E

F

# SAM3U\_PWR



|                     | VDDIO OUT Select |
|---------------------|------------------|
| J26 and J27 open    | VDDIO OUT=3.3V   |
| J26 open, J27 short | VDDIO OUT=2.8V   |
| J26 short, J27 open | VDDIO OUT=1.8V   |

SCHEMATIC TEMPLATE REV. xDxD\_V3 (23-10-2015)

DESIGNED BY:  
Greg Fattig

REVIEWED BY:  
GF, GC

|                                  |             |                             |                 |
|----------------------------------|-------------|-----------------------------|-----------------|
| CONFIDENTIAL<br>INFORMATION      | SIZE<br>A3L | TITLE:<br>DA9318 EVB Solder | REV:<br>AO1     |
| SAVED DATE:<br>16/03/2017: 11:05 |             | DRAWING NO:<br>329-01-A     |                 |
| REVIEWED DATE:<br>27/09/2016     |             | SHEET NAME:<br>USB_IF       | PAGE:<br>5 of 7 |





A

B

C

D

E

F

1

1

2

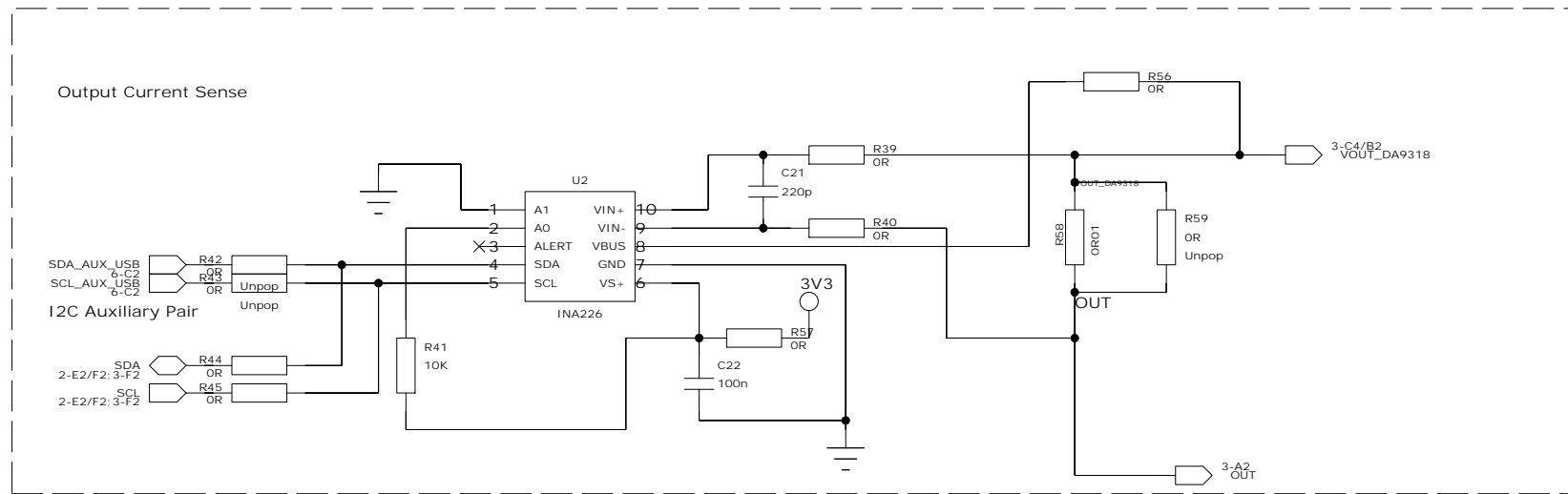
2

3

3

4

4



SCHEMATIC TEMPLATE REV.xdxd\_v3 (23-10-2015)

DESIGNED BY:  
Greg Fattig

REVIEWED BY:  
GF, GC

CONFIDENTIAL  
INFORMATION

SAVED DATE:  
16/03/2017: 11:05

REVIEWED DATE:  
27/09/2016

SIZE  
A3L

TITLE:  
DA9318 EVB Solder

DRAWING NO:  
329-01-A

SHEET NAME:  
ISENSE

REV:  
AO1

**dialog**  
SEMICONDUCTOR

PAGE: 7 of 7

A

B

C

D

E

F