

## Off-line LED Driver Controller Supports Wide Range of PWM Dimming Interfaces

### 1 Description

The iW3637 is a high-performance AC/DC power controller optimized for non-isolated buck or isolated flyback converter applications to step-down a high-voltage DC input to drive LEDs in SSL lighting applications. A converter designed with the iW3637 can work with a DC input voltage from a front-end, off-line boost converter to minimize low frequency output ripple current, and virtually eliminate all flicker in the system. It uses Dialog's **PrimAccurate™** advanced sensing technology to achieve excellent output current regulation without the need for direct voltage or current feedback components. It also eliminates the need for external loop compensation while maintaining stability across all operating conditions.

The iW3637 offers a 1% to 100% dimming range and provides a dedicated PWM dimming input pin that supports a wide variety of dimming application interfaces such as wireless modules, MCUs or 0-10V interfaces. In addition, the iW3637 accepts a secondary PWM input to allow maximum output current configuration.

Dialog's innovative proprietary technology maximizes the iW3637 performance in an SOIC-8 package. It provides maximum design flexibility by providing two multi-function pins to configure IC functions such as the dimming curve and minimum dimming level. Additionally, the iW3637 features a soft-off function before entering into light-off mode, where the device remains alive with minimal standby power consumption.

### 2 Features

- Supports buck and flyback topologies with input from front-end off-line boost converter or rectified AC input
- Enhanced MOSFET driver supports output power up to 150W in an SOIC-8 package
- **PrimAccurate™** sensing achieves tight output current regulation ( $\pm 3\%$ )
- Independent maximum load current setting interface
- Low standby power
- Wide dimming range 1% - 100%
- Configurable minimum dimming setting: dim-to-off, 1%, 5% or 10%
- Configurable 72kHz or 90kHz PWM switching frequency with quasi-resonant operation
- Wide  $V_{CC}$  operating range from 7.5V to 30V
- Fast dimming transient response
- Built-in over-temperature protection with temperature-current derating
- External NTC-based over-temperature protection (iW3637-02 only)
- Configurable dimming curve: linear or logarithm
- Built-in soft-start
- Active start-up scheme enables fast start-up
- Fault protection: output open, output over-voltage, output short and input voltage under-voltage protections
- Light-off mode with soft-off feature

### 3 Applications

- 0-10V dimmable LED drivers
- Dimmable commercial T8
- External and fixture driver lighting applications
- Wireless and intelligent LED lighting

Off-line LED Driver Controller Supports Wide Range of PWM Dimming Interfaces

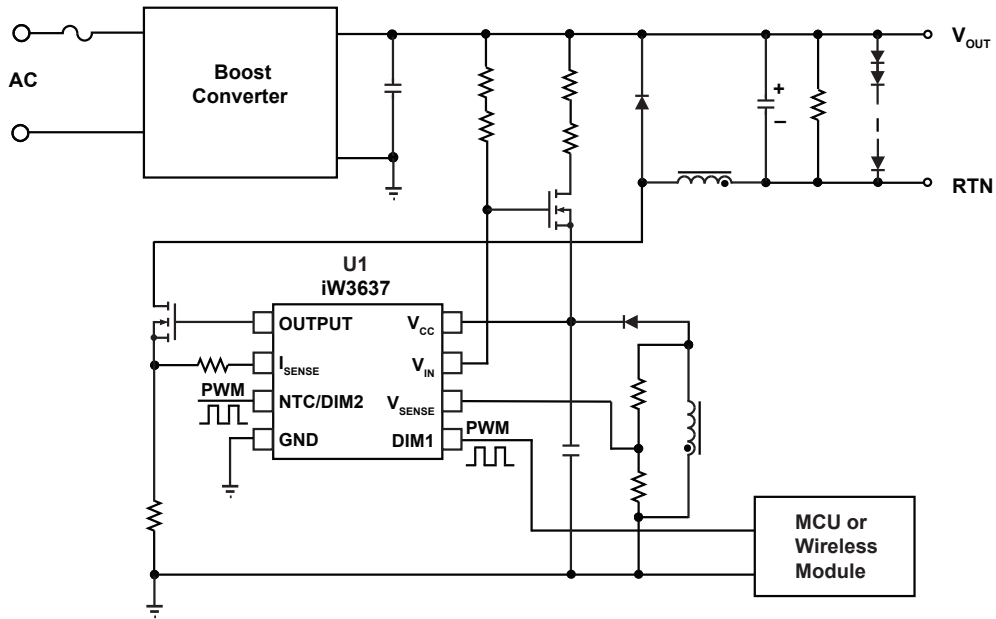


Figure 3.1 : iW3637 Typical Application Circuit with Input Connected from Boost Converter (Using Enhancement-mode FET as Active Start-up Device).

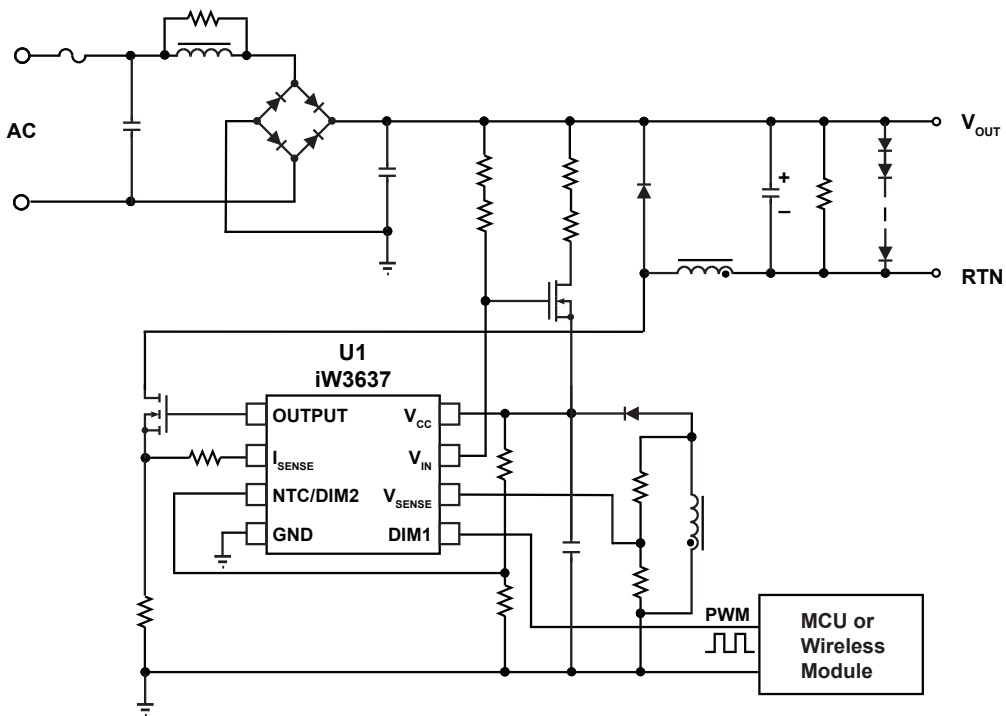


Figure 3.2 : iW3637 Typical Application Circuit with Input Connected to Rectified AC (Using Depletion-mode FET as Active Start-up Device)

Off-line LED Driver Controller Supports Wide Range of PWM Dimming Interfaces

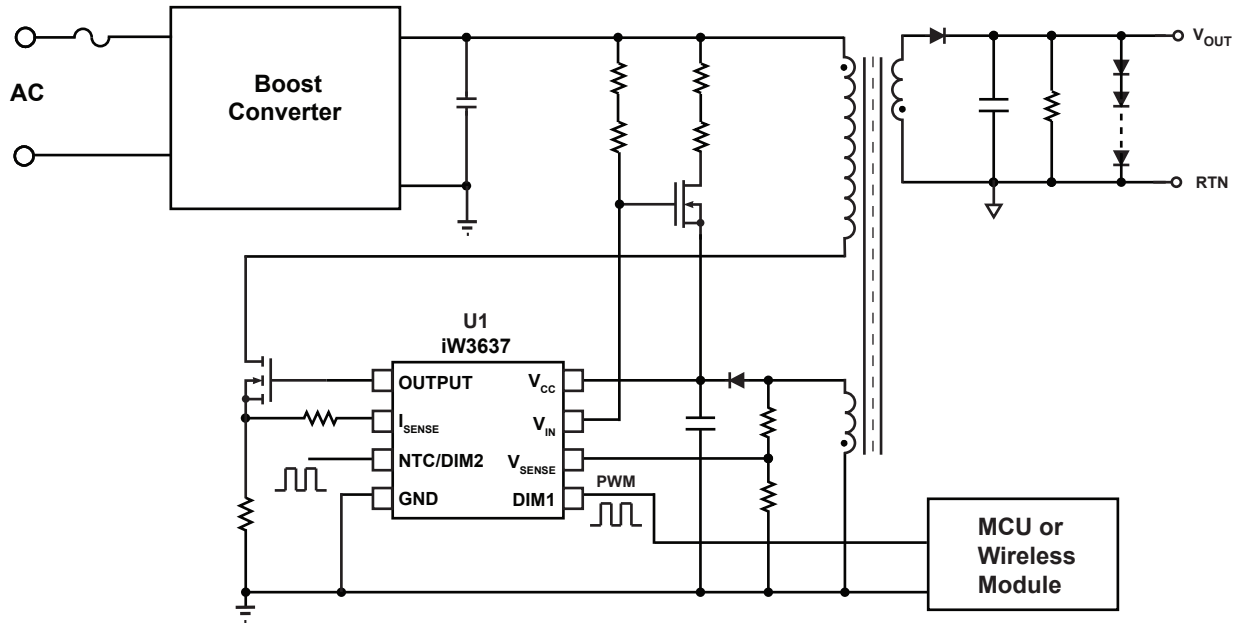


Figure 3.3 : iW3637 Typical Application Circuit with Input Connected from Boost Converter (Configured in the Flyback Topology and Using Depletion-mode FET as Active Start-up Device).

## Off-line LED Driver Controller Supports Wide Range of PWM Dimming Interfaces

### 4 Pinout Description

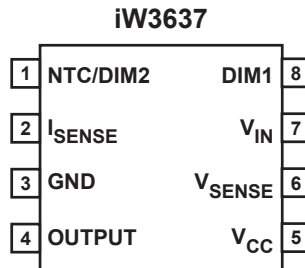


Figure 4.1 : 8-Lead SOIC-8 Package

Pin Number	Pin Name	Type	Pin Description
1	NTC/DIM2	Digital Input	By product option (refer to section 11): PWM: provides maximum load current setting via PWM signal. Set this pin voltage above 1V (typical) DC voltage to bypass the function. Analog: provides a 2nd dimming interface via an analog signal (0-1.8V). NTC: used for external temperature sensing via an NTC resistor.
2	I <sub>SENSE</sub>	Analog Input	Provides current sense for cycle-by-cycle peak current control and limit during normal operation, and serves as a configuration pin during startup.
3	GND	Ground	Ground.
4	OUTPUT	Output	Gate drive for external MOSFET switch.
5	V <sub>CC</sub>	Power	IC power supply.
6	V <sub>SENSE</sub>	Analog Input	Provides output voltage sense during normal operation, and serves as a configuration pin during startup.
7	V <sub>IN</sub>	Analog Input	Control active start-up devices and sense input bus voltage.
8	DIM1	Digital Input	PWM dimming input detection.

## Off-line LED Driver Controller Supports Wide Range of PWM Dimming Interfaces

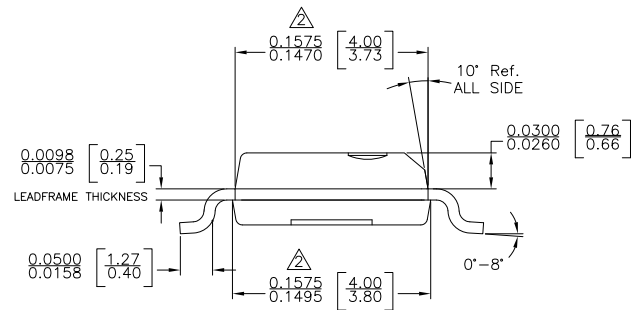
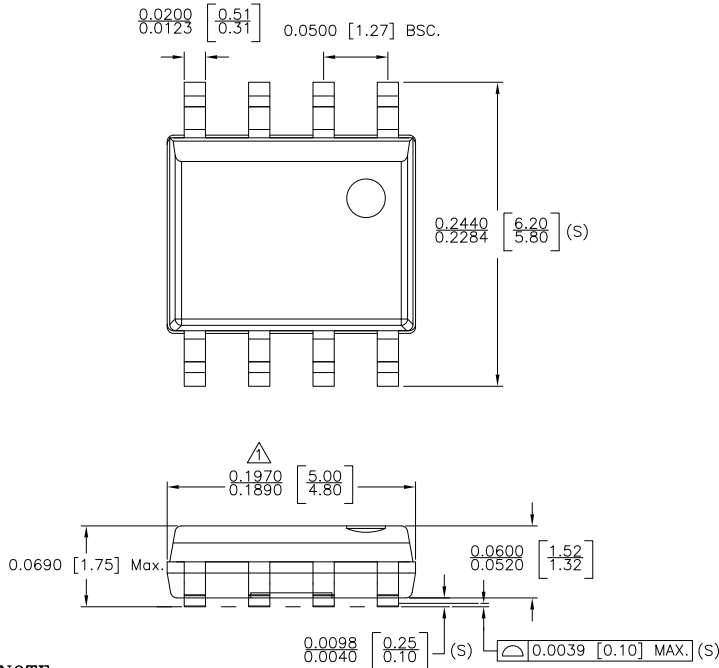
### 5 Absolute Maximum Ratings

Absolute maximum ratings are the parameter values or ranges which can cause permanent damage if exceeded.

Parameter	Symbol	Value	Units
DC supply voltage range (pin 5, $I_{CC} = 20\text{mA max}$ )	$V_{CC}$	-0.3 to 31	V
Continuous DC supply current at $V_{CC}$ pin	$I_{CC}$	20	mA
$V_{IN}$ (pin 7)		-0.3 to 31	V
OUTPUT (pin 4)		-0.3 to 31	V
$V_{SENSE}$ input (pin 6, $I_{VSENSE} \leq 10\text{mA}$ )		-0.3 to 7	V
$I_{SENSE}$ input (pin 2)		-0.3 to 7	V
DIM2 (pin 1)		-0.3 to 7	V
DIM1 (pin 8)		-0.3 to 7	V
Maximum junction temperature	$T_{JMAX}$	150	°C
Operating junction temperature	$T_{JOPT}$	-40 to 150	°C
Storage temperature	$T_{STG}$	-65 to 150	°C
Thermal resistance junction-to-ambient	$\theta_{JA}$	170	°C/W
ESD rating per JEDEC JS-001-2017		$\pm 2,000$	V
Latch-up test per JESD78E		$\pm 100$	mA

## Off-line LED Driver Controller Supports Wide Range of PWM Dimming Interfaces

### 6 Physical Dimensions



**NOTE :**

- 1. DOES NOT INCLUDE MOLD FLASH, PROTRUSIONS OR GATE BURRS. MOLD FLASH, PROTRUSIONS AND GATE BURRS SHALL NOT EXCEED .006 INCH PER SIDE.
- 2. DOES NOT INCLUDE INTER-LEAD FLASH OR PROTRUSIONS. INTER-LEAD FLASH AND PROTRUSIONS SHALL NOT EXCEED .010 INCH PER SIDE.
- 3. THIS PART IS COMPLIANT WITH JEDEC SPECIFICATION MS-012.
- 4. LEAD SPAN/STAND OFF HEIGHT/COPLANARITY ARE CONSIDERED AS SPECIAL CHARACTERISTIC(S)
- 5. CONTROLLING DIMENSIONS IN INCHES. [mm]

STATUS: RELEASED	SCALE: DO NOT SCALE	
TERMINAL FINISH: 100% Sn or NiPdAu (PPF)		
TITLE: 8 SOIC PACKAGE OUTLINE		
REV: A	REVISION NOTE: NEW DRAWING	DATE: 02-MAR-2015

## Off-line LED Driver Controller Supports Wide Range of PWM Dimming Interfaces

### 7 Ordering Information

Part no.	Options				Package	Description
	Topology	DIM2	Internal OTP content	Light-off Delay Time		
iW3637-01	Buck Topology	Independent PWM Output Current Control	Enabled	100ms	SOIC-8	Tape & Reel <sup>1</sup>
iW3637-01A	Buck Topology	Independent PWM Output Current Control	Enabled	No Delay	SOIC-8	Tape & Reel <sup>1</sup>
iW3637-02	Buck Topology	NTC	Enabled	100ms	SOIC-8	Tape & Reel <sup>1</sup>
iW3637-03	Buck Topology	Analog 0-1.8V	Enabled	100ms	SOIC-8	Tape & Reel <sup>1</sup>
iW3637-03A	Buck Topology	Analog 0-1.8V	Enabled	No Delay	SOIC-8	Tape & Reel <sup>1</sup>
iW3637-05	Flyback Topology	Independent PWM Output Current Control	Enabled	100ms	SOIC-8	Tape & Reel <sup>1</sup>
iW3637-31	Buck Topology	Analog 0-1.8V	Disabled	100ms	SOIC-8	Tape & Reel <sup>1</sup>

**Note 1:** Tape and reel packing quantity is 2,500/reel. Minimum packing quantity is 2,500.

## Off-line LED Driver Controller Supports Wide Range of PWM Dimming Interfaces

### Disclaimer

Unless otherwise agreed in writing, the Dialog Semiconductor products (and any associated software) referred to in this document are not designed, authorized or warranted to be suitable for use in life support, life-critical or safety-critical systems or equipment, nor in applications where failure or malfunction of a Dialog Semiconductor product (or associated software) can reasonably be expected to result in personal injury, death or severe property or environmental damage. Dialog Semiconductor and its suppliers accept no liability for inclusion and/or use of Dialog Semiconductor products (and any associated software) in such equipment or applications and therefore such inclusion and/or use is at the customer's own risk.

Information in this document is believed to be accurate and reliable. However, Dialog Semiconductor does not give any representations or warranties, express or implied, as to the accuracy or completeness of such information. Dialog Semiconductor furthermore takes no responsibility whatsoever for the content in this document if provided by any information source outside of Dialog Semiconductor.

Dialog Semiconductor reserves the right to change without notice the information published in this document, including, without limitation, the specification and the design of the related semiconductor products, software and applications. Notwithstanding the foregoing, for any automotive grade version of the device, Dialog Semiconductor reserves the right to change the information published in this document, including, without limitation, the specification and the design of the related semiconductor products, software and applications, in accordance with its standard automotive change notification process.

Applications, software, and semiconductor products described in this document are for illustrative purposes only. Dialog Semiconductor makes no representation or warranty that such applications, software and semiconductor products will be suitable for the specified use without further testing or modification. Unless otherwise agreed in writing, such testing or modification is the sole responsibility of the customer and Dialog Semiconductor excludes all liability in this respect.

Nothing in this document may be construed as a license for customer to use the Dialog Semiconductor products, software and applications referred to in this document. Such license must be separately sought by customer with Dialog Semiconductor.

All use of Dialog Semiconductor products, software and applications referred to in this document is subject to Dialog Semiconductor's [Standard Terms and Conditions of Sale](#), available on the company website ([www.dialog-semiconductor.com](http://www.dialog-semiconductor.com)) unless otherwise stated.

Dialog, Dialog Semiconductor and the Dialog logo are trademarks of Dialog Semiconductor Plc or its subsidiaries. All other product or service names and marks are the property of their respective owners.

© 2021 Dialog Semiconductor. All rights reserved.

### RoHS Compliance

Dialog Semiconductor's suppliers certify that its products are in compliance with the requirements of Directive 2011/65/EU of the European Parliament on the restriction of the use of certain hazardous substances in electrical and electronic equipment. RoHS certificates from our suppliers are available on request.

## Contacting Dialog Semiconductor

**United Kingdom (Headquarters)**  
Dialog Semiconductor (UK) LTD  
Phone: +44 1793 757700

**Germany**  
Dialog Semiconductor GmbH  
Phone: +49 7021 805-0

**The Netherlands**  
Dialog Semiconductor B.V.  
Phone: +31 73 640 8822

**Email**  
[info\\_pcbg@diasemi.com](mailto:info_pcbg@diasemi.com)

**North America**  
Dialog Semiconductor Inc.  
Phone: +1 408 845 8500

**Japan**  
Dialog Semiconductor K. K.  
Phone: +81 3 5769 5100

**Taiwan**  
Dialog Semiconductor Taiwan  
Phone: +886 281 786 222

**Web site:**  
[www.dialog-semiconductor.com](http://www.dialog-semiconductor.com)

**Hong Kong**  
Dialog Semiconductor Hong Kong  
Phone: +852 2607 4271

**Korea**  
Dialog Semiconductor Korea  
Phone: +82 2 3469 8200

**China (Shenzhen)**  
Dialog Semiconductor China  
Phone: +86 755 2981 3669

**China (Shanghai)**  
Dialog Semiconductor China  
Phone: +86 21 5424 9058